

Clippard

M-DR-2 Precision Regulators

Excellent Accuracy & Repeatability

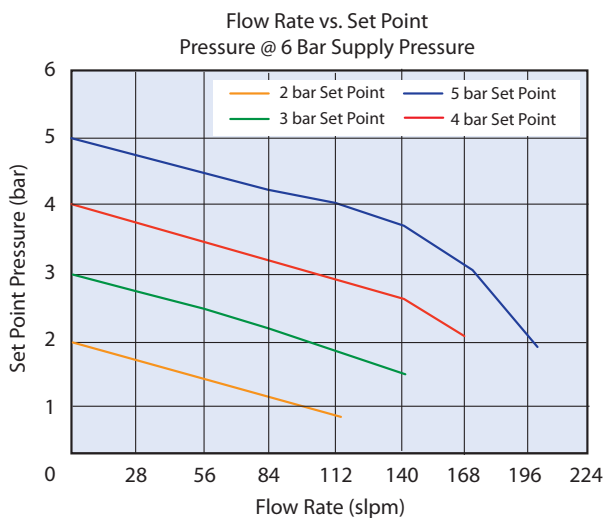


- Design for applications where zero air consumption is required (non-bleed)
- Excellent corrosion resistance
- Relieving and non-relieving designs
- Manifold mount option
- Features non-rising internal adjustment
- ISO 9001:2008

When Clippard invented miniature regulators in 1962, the M-MAR Series became very popular as a simple, robust, and cost-effective regulator in a small package with exceptionally long life.

As regulator applications continue to increase, Clippard is meeting the demand with the newest addition to the reputable regulator line. The new M-DR-2 Series provides greater accuracy and repeatability while maintaining the same flow and performance characteristics as the M-MAR regulators in a small, sleek package.

Regulators are offered in either relieving or non-relieving versions. The relieving design maintains a constant pressure output even when downstream conditions change, while non-relieving regulators do not automatically compensate for changes in downstream flow or pressure. There is no vent to atmosphere, as in a relieving type regulator, and the output pressure can increase due to a downstream event. Non-relieving versions can also accommodate compatible liquid applications.



Specifications

Medium	Air, Water* or Oil*
Input Pressure	21 bar max.
Repeatability	± 0.007 bar
Set Point Sensitivity	0.007 bar
Set Point Stability	0.007 bar
Temperature Range	0° to 100°C
Mounting	M12x0.75 thread. Nuts and lockwashers furnished
Material	Electroless nickel plated brass body, FKM seals, PFPE lube, stainless steel adjustment screw and spring
Adjustment	An extended 6.4 mm shaft accepts an adjustment knob, or furnished with an exposed screwdriver slot with micro-adjustment (32 pitch thread). Knobs ordered separately (#AK4-A)

* Non-Relieving models only

Order Information

Inlet	Outlet	Base Part No.
M5 Female	M5 Female	M-DR-2
R1/8 Male	M5 Female	M-DR-2P
M5 Male	Manifold	M-DR-2M
Cartridge	Cartridge	M-DR-2C
R1/8 Male	G1/8 Female	M-DR-2BP

Example Part No.: M-DR-2BP-5

Special configurations, preset options and imperial versions available. Consult Clippard.



Type

(blank) Relieving
NR Non-Relieving



Max. Pressure Range

(blank) 0.1 - 6.9 bar
-1 0.03 - 0.7 bar
-5 0.07 - 3.4 bar

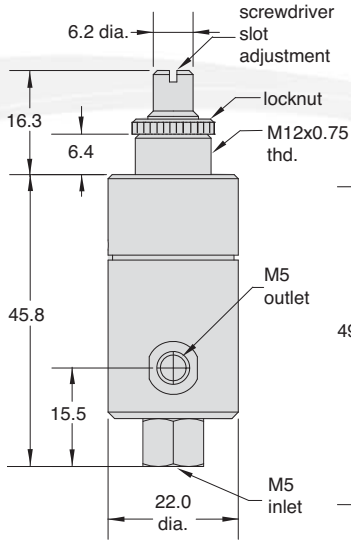


Clippard Europe S.A.

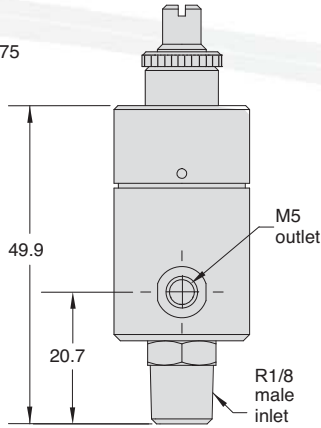
+32 10 45 21 34 • www.clippard.eu

Technical Data Bulletin 7.16

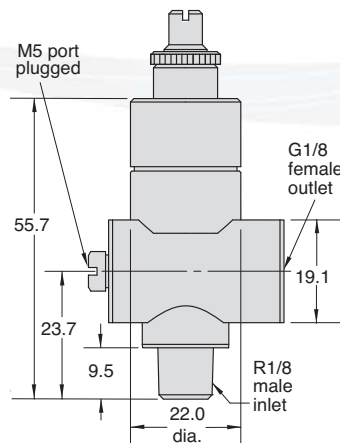
M-DR-2



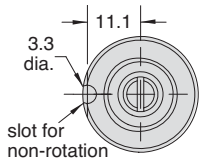
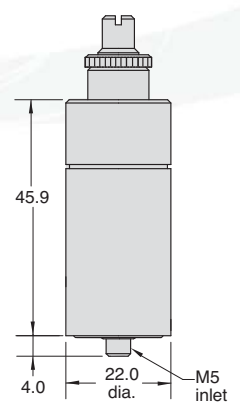
M-DR-2P



M-DR-2BP

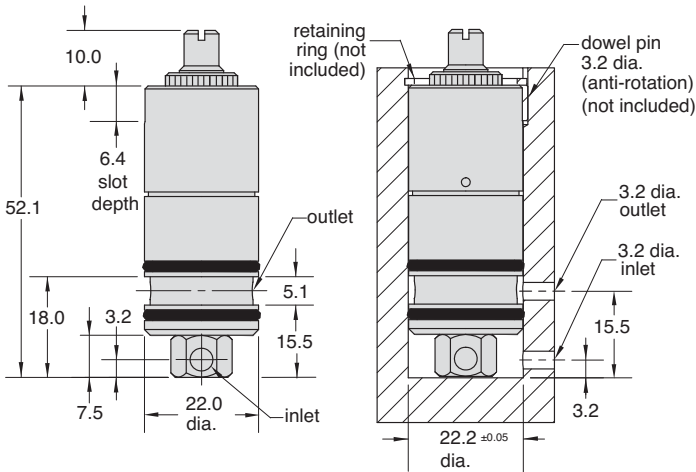
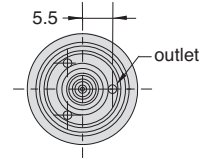
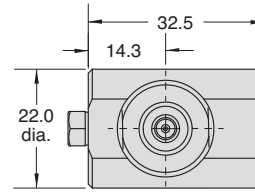


M-DR-2M



DR-2C

All models illustrated with screwdriver slot adjustment



Professionally Distributed by:

CUSTOMer solutions



Special Body Configuration



Customer Special Cartridge Configuration

Custom Regulators

Special Configurations & Assemblies

If you need a product that fits your application perfectly, Clippard has the capability to design or modify one of its products to suit your exact needs. We understand that a standard catalog product may be close but not be exactly what you need. We have the ability and capacity to give you what you want. Our Engineering Department has designed tens of thousands of special variations, modifications or completely special regulators and other products.

Call today with your unique application!

Clippard Europe S.A.

+32 10 45 21 34 • www.clippard.eu

Technical Data Bulletin 7.16