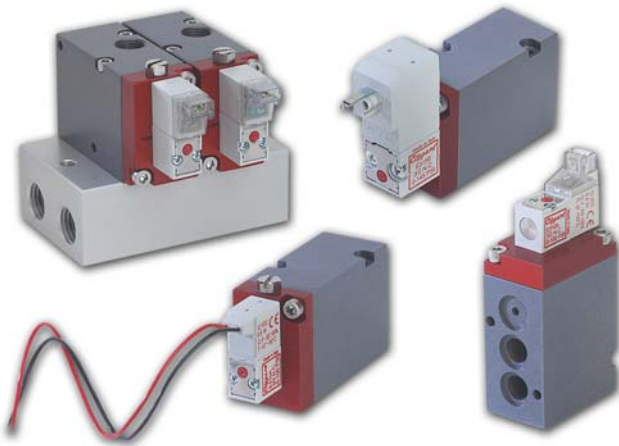


# Clippard

## M-EGV Series Electronic High Flow Poppet Valves



- Available Normally-Open or Normally-Closed
- Small, compact, lightweight with high flow
- Electroless nickel plated brass and hard coat anodized aluminum construction for long life and corrosion resistance
- Proven poppet design

Clippard's EGV Series valves are an electronically piloted version of the GV series valves, ideal for large flow, low leak applications. Available in G1/8 ported and manifold mount, they utilize Clippard 10 mm or 15 mm valves, and offer numerous voltage and connection options. These 2/2 and 3/2 valves provide 10 times more flow than Clippard's MAV series and 2.5 times more flow than the MJV series! An externally piloted option is available for controlling lower pressures or other media.

**Medium:** Compatible Gases

**Input Pressure:** 1.4 to 7.6 bar\* (10.4 bar max with Air Pilot or DIN connector)

**Air Flow:** 850 l/min @ 3.5 bar; 1,500 l/min @ 7 bar

**Temperature Range:** 0 to 110°C

**Ports:** G1/8 and manifold mount

**Mounting:** BSPP, side mounted or Manifold (come with mounting screws and seals)

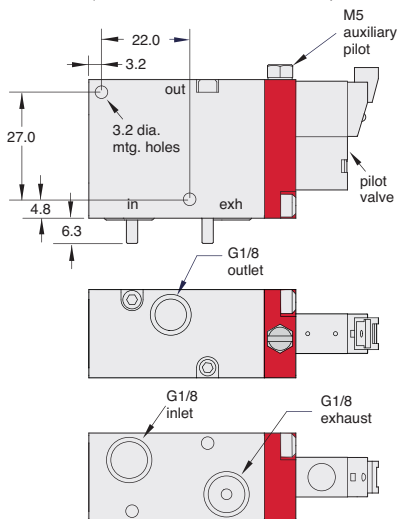
**Materials:** Aluminum, Stainless Steel, Brass, Nylon

**Power Consumption:** DC version: 0.6 watts; AC version: 2.5 watts

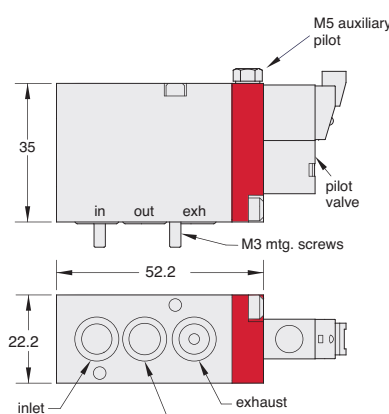
**Voltage:** 12 VDC, 24 VDC, 24 VAC, 110 VAC, 220 VAC

**Seals:** Nitrile, FKM optional (add suffix "-V" to Part No.)

**M-EGV-2/3 Series**  
(In-Line Connector shown)

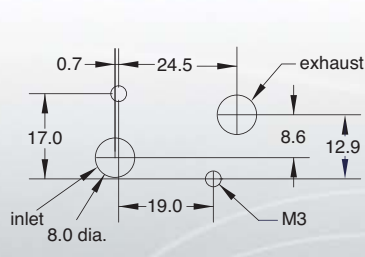


**M-EGV-2M/3M Series**  
(In-Line Connector shown)

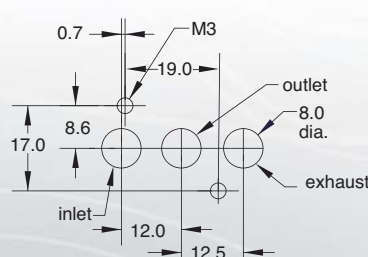


### Mounting Interface

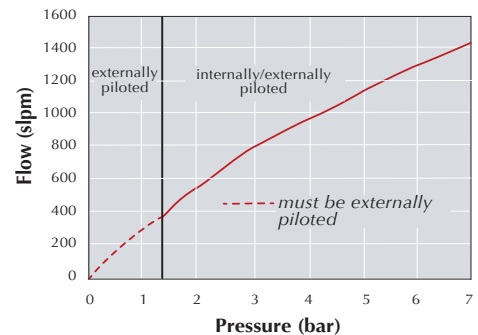
**M-EGV-2/3 Series**



**M-EGV-2M/3M Series**

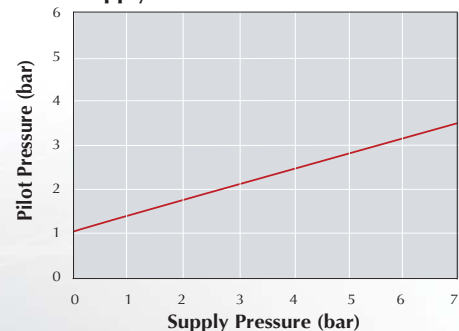


**Pressure vs. Flow**



\* The M-EGV is internally-piloted requiring a minimum of 1.4 bar on the inlet (see External Pilot Option on back).

**Supply Pressure vs. Pilot Pressure**



**Clippard Europe S.A.**

+32 10 45 21 34 •

Technical Data Bulletin 2.14

## External Pilot Option

For applications from 0 to 1.4 bar, or where working pressure cannot vent to atmosphere via the pilot valve exhaust, re-configure the valve with the External Pilot option.

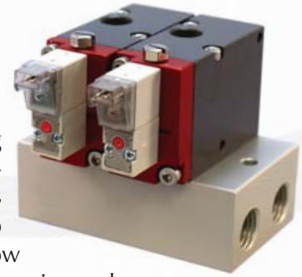


View instructions on how to convert from internally to externally piloted valve

## Single-Sided Manifolds

For Use with G1/8 Ported Valves

Pipe thread manifolds are an economical and efficient choice for grouping pneumatic valves and other components in applications where space is limited. In addition, manifolds help to reduce potential leak points and allow for faster installation with one common air supply and less piping. Clear anodized aluminum.



Part No.	Description
<a href="#">M-EGVM-2</a>	2-Station Manifold
<a href="#">M-EGVM-4</a>	4-Station Manifold

## Order Information

NPT Ported or Mount	Manifold Mount (only)	NPT Ported or Mount	Manifold Mount (only)	Connector	12 VDC 0.6 W	24 VDC 0.6 W	24 VAC 2.5 W	110 VAC 2.5 W	220 VAC 2.5 W
<b>2-Way Valves</b>									
<i>Normally-Closed</i>		<i>Normally-Open</i>							
M-EGV-2-E*	M-EGV-2M-E*	M-EGVO-2-E*	M-EGVO-2M-E*	90° Connector	•	•			
M-EGV-2-L*	M-EGV-2M-L*	M-EGVO-2-L*	M-EGVO-2M-L*	90° with LED	•	•			
M-EGV-2-F*	M-EGV-2M-F*	M-EGVO-2-F*	M-EGVO-2M-F*	In-Line	•	•			
M-EGV-2-C*	M-EGV-2M-C*	M-EGVO-2-C*	M-EGVO-2M-C*	In-Line with LED	•	•			
M-EGV-2-W*	M-EGV-2M-W*	M-EGVO-2-W*	M-EGVO-2M-W*	Wire Leads, 300 mm	•	•			
M-EGV-2-D*	M-EGV-2M-D*	M-EGVO-2-D*	M-EGVO-2M-D*	DIN Connector	•	•	•	•	•
<b>3-Way Valves</b>									
M-EGV-3-E*	M-EGV-3M-E*	M-EGVO-3-E*	M-EGVO-3M-E*	90° Connector	•	•			
M-EGV-3-L*	M-EGV-3M-L*	M-EGVO-3-L*	M-EGVO-3M-L*	90° with LED	•	•			
M-EGV-3-F*	M-EGV-3M-F*	M-EGVO-3-F*	M-EGVO-3M-F*	In-Line Connector	•	•			
M-EGV-3-C*	M-EGV-3M-C*	M-EGVO-3-C*	M-EGVO-3M-C*	In-Line with LED	•	•			
M-EGV-3-W*	M-EGV-3M-W*	M-EGVO-3-W*	M-EGVO-3M-W*	Wire Leads, 300 mm	•	•			
M-EGV-3-D*	M-EGV-3M-D*	M-EGVO-3-D*	M-EGVO-3M-D*	DIN Connector	•	•	•	•	•

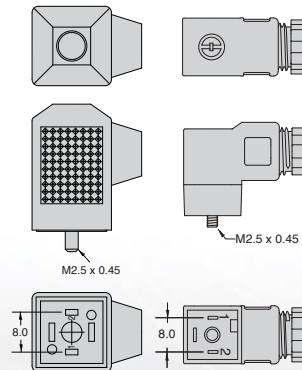
\* Add Voltage Choice to the end of each Base Part Number. "012" (12 VDC), "024" (24 VDC) "24A" (24 VAC), "110" (110 VAC) or "220" (220 VAC). Example: [M-EGV-2-E012](#)

## Professionally Distributed by:

## DIN Connectors

For Use with 15 mm Valves Only

Molded 3-Wire Cord Set



DIN 43650 Form C Connectors with 8 mm spade center spacing mate with the 15 mm DIN connector coil. Available with or without surge suppression, and 150 or 380 mm PVC molded three-wire cord set.

Part No.	Volts	LED	
<a href="#">CC-C</a>			-
<a href="#">CC-C-P6</a>	6-240	no	150 mm
<a href="#">CC-C-P15</a>			380 mm
<a href="#">CC-CLL</a>			-
<a href="#">CC-CLL-P6</a>	6-24	yes	150 mm
<a href="#">CC-CLL-P15</a>			380 mm
<a href="#">CC-CLM</a>			-
<a href="#">CC-CLM-P6</a>	48-110	yes	150 mm
<a href="#">CC-CLM-P15</a>			380 mm



Clippard Europe S.A.

+32 10 45 21 34 •

Technical Data Bulletin 2.14