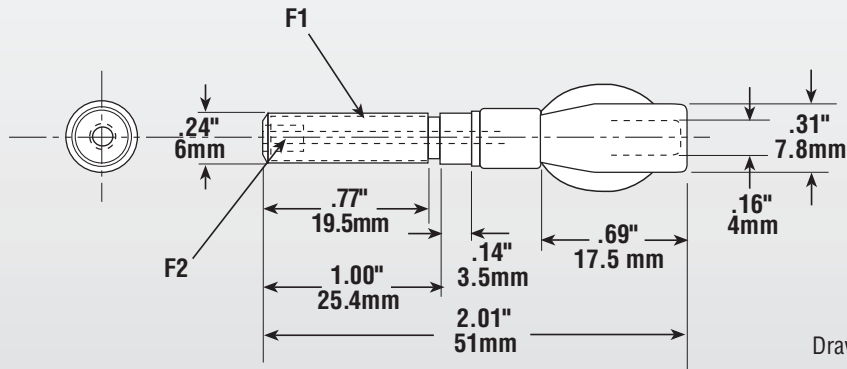


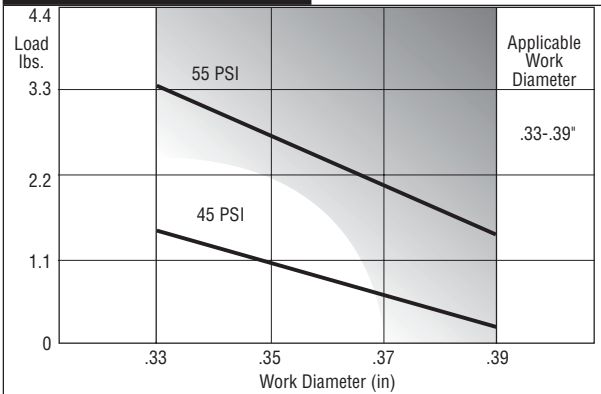
| Assembly Order No. | Rubber Material | F1 | F2 | F3 | Clamp Ring | Body Material | Max Restricted Pressure (psig/bar) | Max Unrestricted Pressure (psig/bar) |
|--------------------|-----------------|----|----|-----|-----------------|-----------------|------------------------------------|--------------------------------------|
| WP1-M58-0001 | Neoprene | M6 | M3 | N/A | Stainless Steel | Stainless Steel | 55 / 4 | 25 / 1.8 |



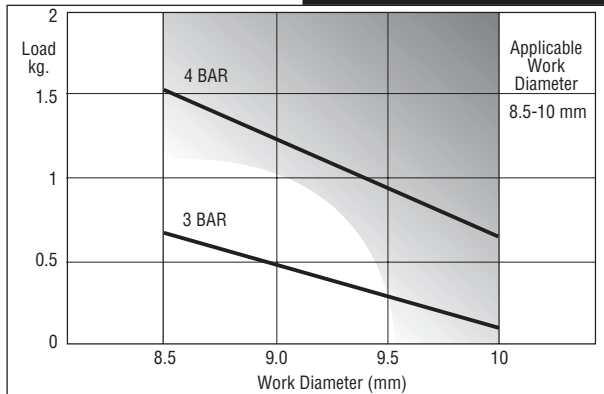
IMPERIAL

METRIC

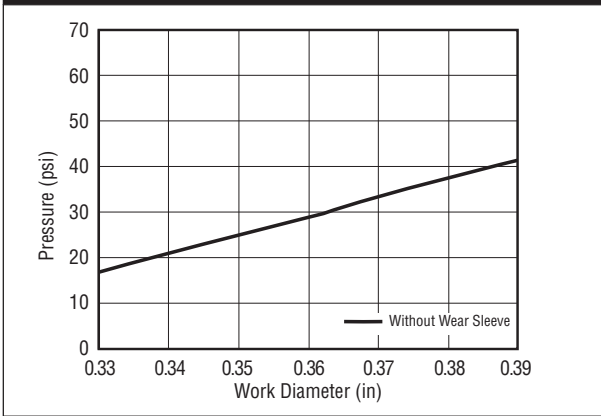
FORCE CURVES



FORCE CURVES



PRESSURE VS INFLATED DIAMETER



PRESSURE VS INFLATED DIAMETER

