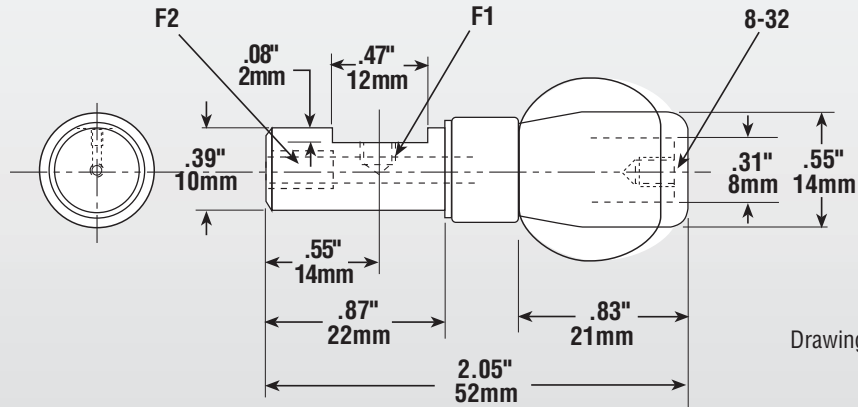
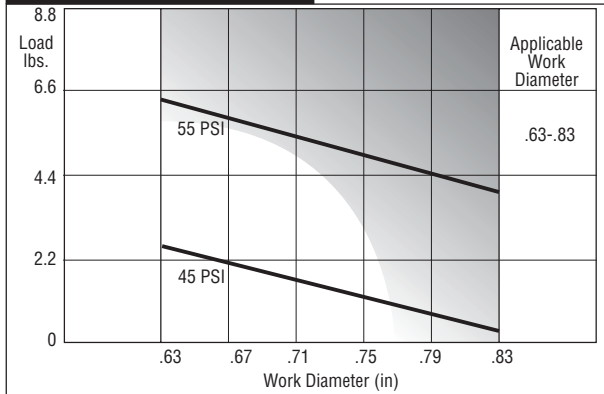


| Assembly Order No. | Rubber Material | F1 | F2 | F3 | Clamp Ring | Body Material | Max Restricted Pressure (psig/bar) | Max Unrestricted Pressure (psig/bar) |
|--------------------|-----------------|-----------|-----------|-----|-----------------|---------------|------------------------------------|--------------------------------------|
| WP1-M58-0004 | Neoprene | M5 | M5 | N/A | Stainless Steel | Steel | 70 / 5 | 25 / 1.8 |
| WP1-358-2000 | Neoprene | 10-32 UNF | 10-32 UNF | N/A | Stainless Steel | Steel | 70 / 5 | 25 / 1.8 |

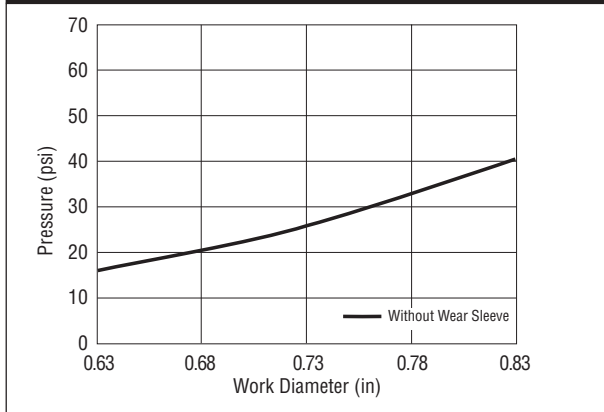


IMPERIAL

FORCE CURVES

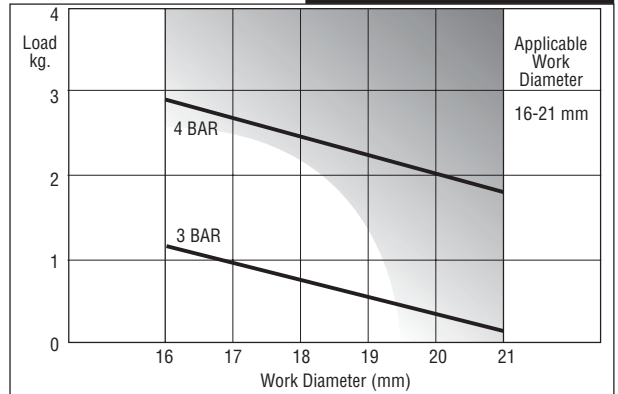


PRESSURE VS INFLATED DIAMETER



METRIC

FORCE CURVES



PRESSURE VS INFLATED DIAMETER

