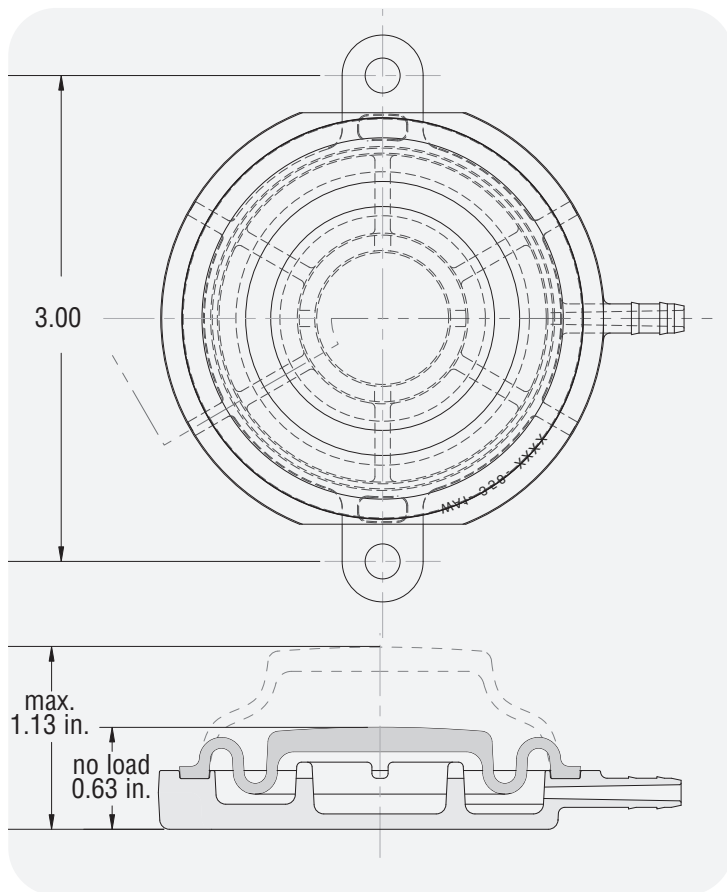


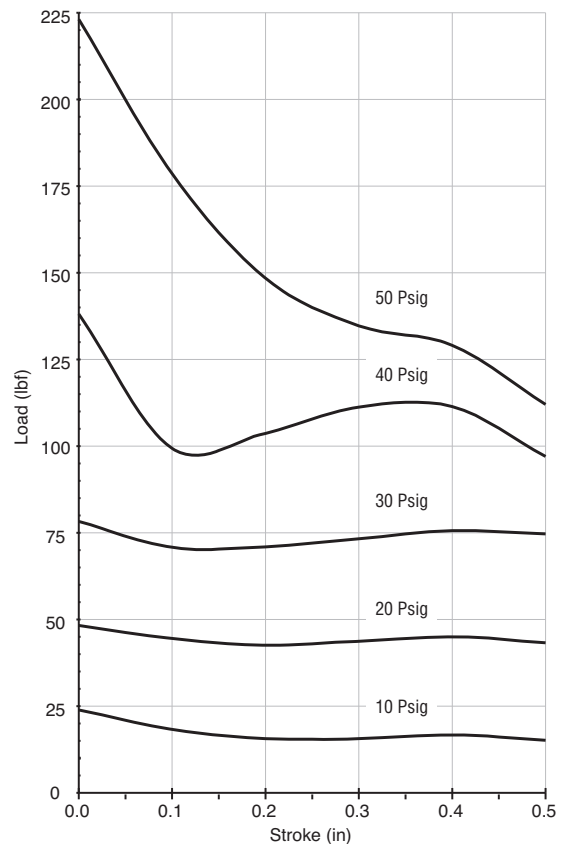
### 70-P-13 (WA1-358-5674)

Firestone Industrial Products Company is announcing the introduction of a completely new range of pneumatic actuators. The Airomatic™ polyactuator line consists of engineered plastic molded elements welded together in a sealed unit.

**Maximum recommended pressure is 50 psi. Do not use unrestricted.**



Airomatic Actuator  
Load vs. Stroke



#### Description

- The minimum height on this model is only 0.63 inches (16 mm) so it will fit in very small spaces.
- It is capable of strokes up to .5 inch (13mm) and forces over 100 lbs (.45 kN) at 50 psig (3.5 bar).