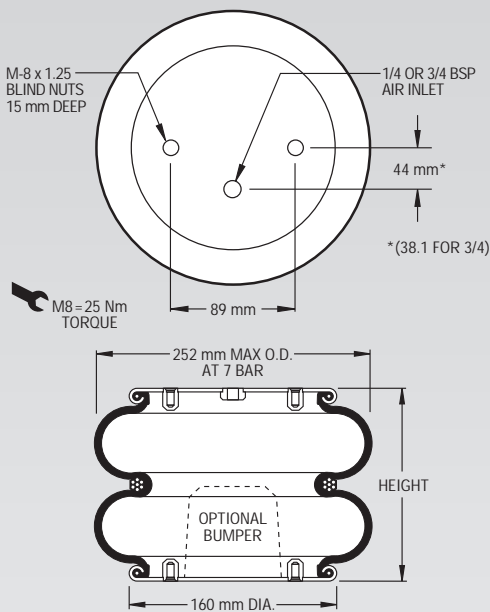


NOTE: All Assembly Order Numbers are for bead plate parts unless noted otherwise.

	Description	Assembly Order No.
Style 20	Blind nuts, 1/4 BSP	W01-M58-6187
	Blind nuts, 1/4 BSP, bumper	W01-M58-6188
Two Ply Bellows	Blind nuts, 3/4 BSP	W01-M58-6185
	Blind nuts, 3/4 BSP, bumper	W01-M58-6186
	Countersunk steel bead rings, 40 mm bolts, nuts, washers	W01-M58-6990
	Rubber bellows only	W01-358-7901
Assembly weight.....		3.40 kg.
Force to collapse to minimum height (@ 0 BAR)		62 N.

Style 202	Blind nuts, 1/4 BSP	W01-M58-6192
High Strength Construction	Blind nuts, 3/4 BSP	W01-M58-6190



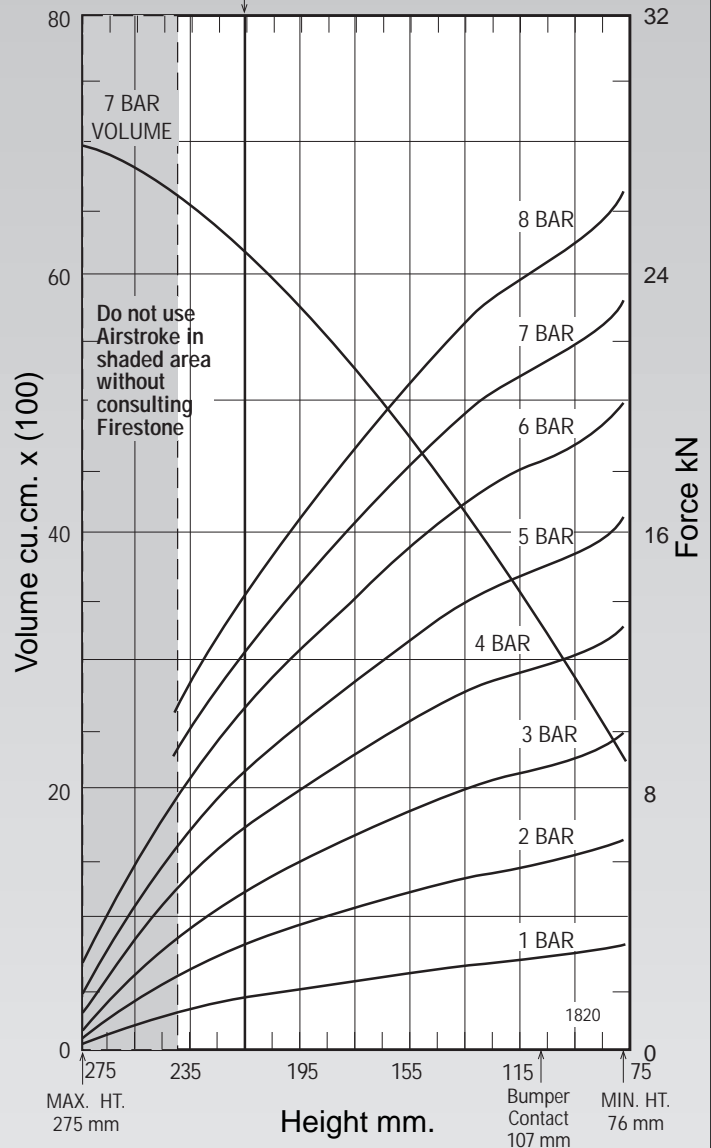
NOTE: A bead plate part is shown. This part is also available with bead rings. See pages 8-10 for explanation.

Dynamic Characteristics at 215 mm Design Height (Required for Airmount isolator design only)			
Gauge Pressure (BAR)	Load (kN)	Spring Rate (kN/m)	Natural Frequency Hz
3	4.78	77.93	2.01
4	6.73	98.23	1.96
5	8.49	122.17	1.89
6	10.42	146.53	1.87
7	12.19	168.24	1.85

RECOMMENDED
AIRMOUNT
DESIGN HEIGHT
215 mm.

Static Data

1820



See page 12 for instructions on how to use chart.

Force Table (Use for Airstroke® actuator design)							
Assembly Height (mm)	Volume @ 7 BAR (cu cm)	EFF Area @ 7 BAR (cm sq)	kN Force				
			@ 3 BAR	@ 4 BAR	@ 5 BAR	@ 6 BAR	@ 7 BAR
230	6423	149	3.97	5.70	7.21	8.91	10.45
200	5853	196	5.49	7.59	9.59	11.75	13.72
170	5129	237	6.75	9.20	11.61	14.22	16.60
140	4286	273	7.81	10.72	13.45	16.42	19.17
110	3372	299	8.59	11.72	14.74	17.99	20.98
80	2417	324	9.51	12.74	16.03	19.50	22.68