

Clippard

M-DV Series High Flow Electronic Valves



The Next "Gen" Valve that is compact, quick and offers flows to 100 l/min!

Clippard Minimatic® electronic valves are precision-built 2/2 and 3/2 control valves, utilizing Clippard's patented valving principle. The powerful M-DV- Series was designed as the next generation of the well-known and trusted original M-EV line of Clippard "Mouse" valves. With a cycle life of over a billion, a solid, compact design, and extremely high flow rates, these valves are suitable for many applications across numerous diverse industries. A variety of voltage, connector and mounting options are available.

Valve Type: 2/2 or 3/2, Normally-Closed or Normally-Open, Fully-Ported (3/2)

Medium: Compatible Fluids

Air Flow: M-DV-2/M-DT-2: 100 l/min @ 7 bar *
M-DV-2-L/M-DT-2-L: 100 l/min @ 3.5 bar *
M-DV-3/M-DT-3: 70 l/min @ 7 bar *

Pressure Range: Standard: Vac. to 7 bar *

Power Consumption: 1.9 watts *

Ports: M5

Ambient Temperature Range: 0 to 55°C at continuous duty *

Response: 10 to 15 milliseconds *

Electrical Connection: Spade Terminals or Wire Leads *

Operating Range: 95 to 125% of rated voltage

Electrical Connection: Spade Terminals or Wire Leads *

Voltage: 12 or 24 VDC *

Mounting: Manifold or Cartridge Style (inserts into 19.0 mm bore) *

Wetted Materials: Stainless Steel, Ultem™

Seal Material: Nitrile standard. FKM ("-V"), EPDM ("-E"), Silicone ("-S") optional **

* Consult factory for special configurations.

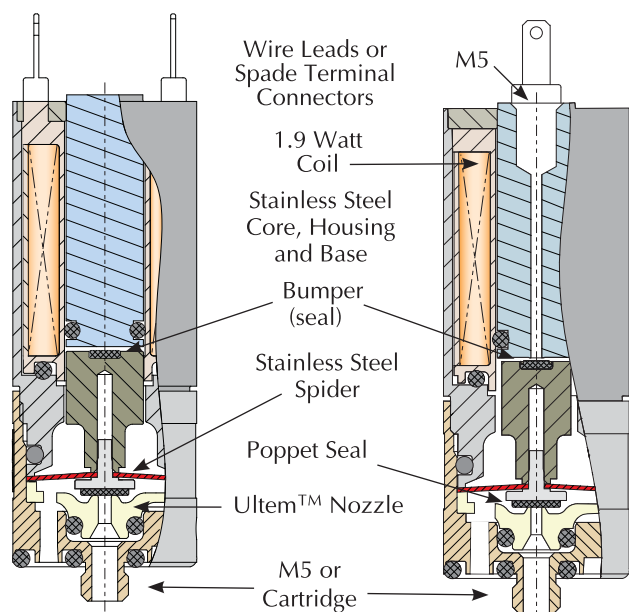
** Other materials available for special design/project

- Industry standard for leak-free operation
- Over 1,000,000,000 cycles
- Bidirectional flow
- Fast response time
- Large flows in small, sleek design
- Low heat rise/low power
- Robust stainless steel "Spider" flat armature spring



M-DV-2/M-DT-2

M-DV-3/M-DT-3



™ Ultem is a trademark of SABIC

© Minimatic is a registered trademark of Clippard Instrument Lab., Inc.

Ordering Information



Spade Terminals

Manifold Mount	Cartridge Style	Voltage
2-Way		
M-DT-2M-12	M-DT-2C-12	12 VDC
M-DT-2M-24	M-DT-2C-24	24 VDC
M-DT-2M-12-L	M-DT-2C-12-L	12 VDC
M-DT-2M-24-L	M-DT-2C-24-L	24 VDC

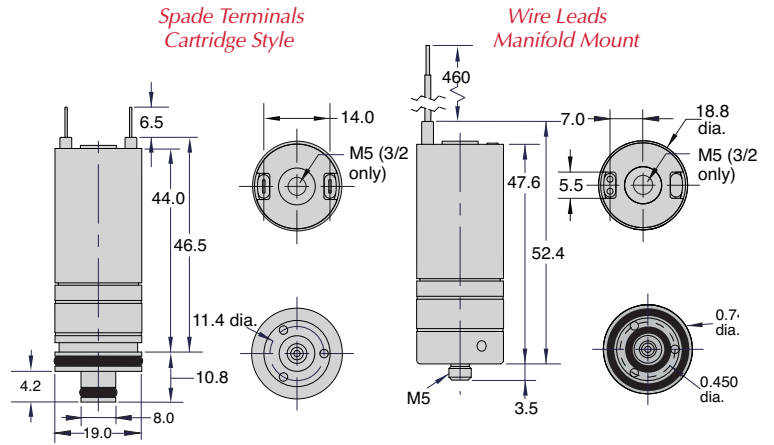
3-Way		
M-DT-3M-12	M-DT-3C-12	12 VDC
M-DT-3M-24	M-DT-3C-24	24 VDC



Wire Leads

Manifold Mount	Cartridge Style	Voltage
2-Way		
M-DV-2M-12	M-DV-2C-12	12 VDC
M-DV-2M-24	M-DV-2C-24	24 VDC
M-DV-2M-12-L	M-DV-2C-12-L	12 VDC
M-DV-2M-24-L	M-DV-2C-24-L	24 VDC

3-Way		
M-DV-3M-12	M-DV-3C-12	12 VDC
M-DV-3M-24	M-DV-3C-24	24 VDC



Multi-Station Manifolds

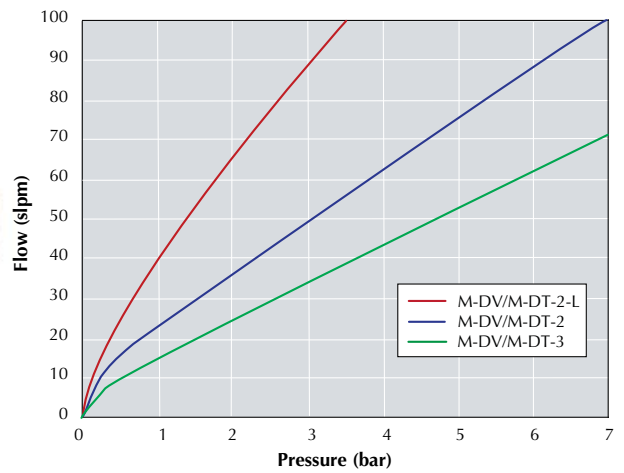
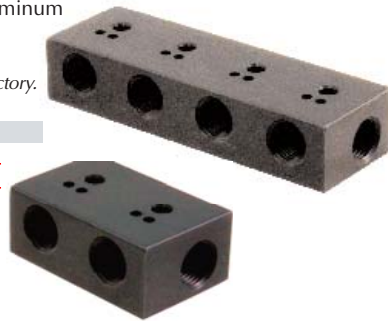
Construction: Black anodized aluminum
Ports: G1/8

Custom manifolds available. Consult factory.

Part No.

M-15781-2	2-Station Manifold
M-15781-4	4-Station Manifold

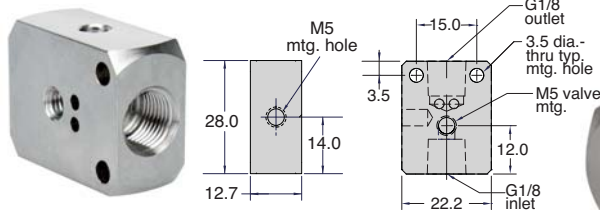
Manifold Mount



Single-Station Manifolds

Construction: ENP brass standard. Other materials available. Consult factory.

Manifold Mount



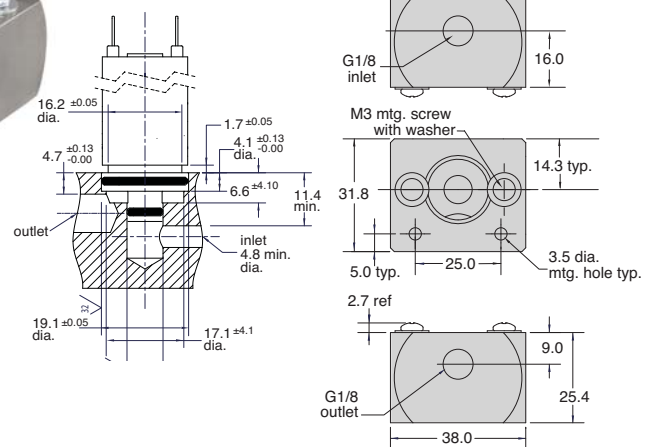
Part No.

M-15490-5	Manifold Mount
---------------------------	--------------------------------

Cartridge Style

Part No.

M-15492-1	Cartridge Style Manifold
---------------------------	--



Professionally Distributed by:

Clippard Europe S.A.

+32 10 45 21 34 • www.clippard.eu

Technical Data Bulletin 4.2.15