



Direct-Acting 2-Position Solenoid Valves



Maximatic® Direct-Acting Valves are single solenoid spring return poppet type valves available as either 2-way or 3-way configurations in ports sizes 1/8" NPT and 1/4" NPT. Hardware to stack multiple valves included with each stacking valve (MME-3SDS and MME-2SDS). Includes one long screw, one short screw, one gasket, and one nut.

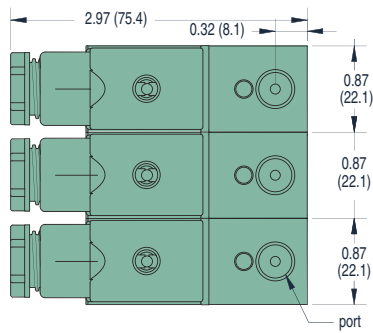
Flow: 2.3 scfm @ 100 psig
Electrical Connection: DIN connector with LED indicator ("D"), or 18" Wire Lead ("W")
Voltage: 12-volt DC ("-012"), 24-volt DC ("-024"), 24-volt AC ("-24A"), 110-volt AC ("-110"), or 220-volt AC ("-220")
Power Consumption: 6.5 Watt
Number of Ports: 2 or 3
Mounting: Body Ported or Stacking

Medium: Air (40 micron filtration), Inert Gas or Liquid
Operating Range: Vacuum to 150 psig

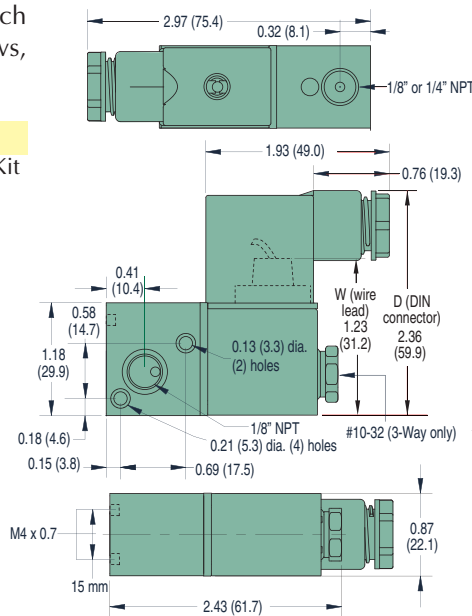
Replacement Stacking Kit

Replacement Stacking Kits are available which include two long screws, two short screws, one gasket and two nuts.

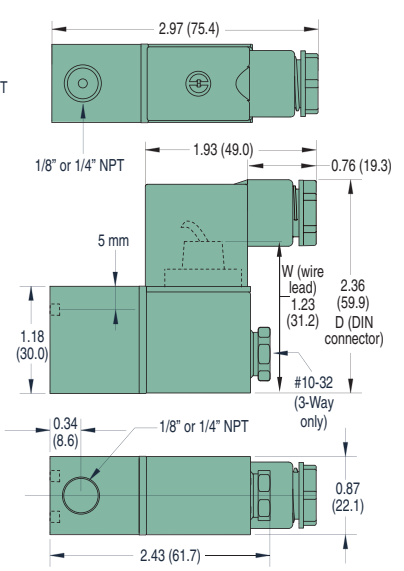
Part No. 27048 Replacement Stacking Kit



2-Way & 3-Way Valves (Stacking)



2-Way & 3-Way Valves (non-Stacking)



2-Way Valves		Cv/scfm*	3-Way Valves		Inlet	Outlet	Exhaust	Cv/scfm*
MME-2PDS-		0.12/6.7	MME-3PDS-		1/8" NPT	1/8" NPT	#10-32	0.05/2.3
MME-2SDS-**		0.12/6.7	MME-3SDS-**		1/8" NPT	1/8" NPT	#10-32	0.05/2.3
MME-2QDS-		0.12/6.7	MME-3QDS-		1/4" NPT	1/4" NPT	#10-32	0.05/2.3

** Stacking Valve

* scfm based on flow @ 100 psig

Add Electrical Connection and Voltage Choices to the end of each Base Part Number - Example: **MME-2QDS-W220**