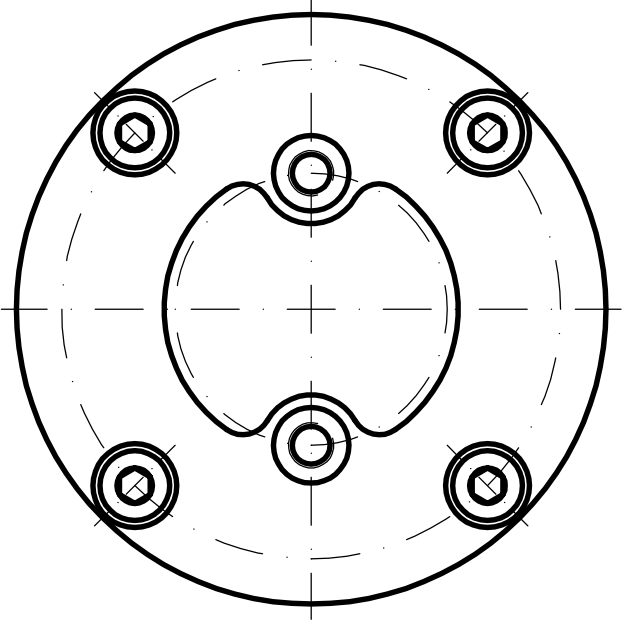


TOP VIEW

G 1/4  
 1/4 BSP  
 AIR INLET



BOTTOM VIEW