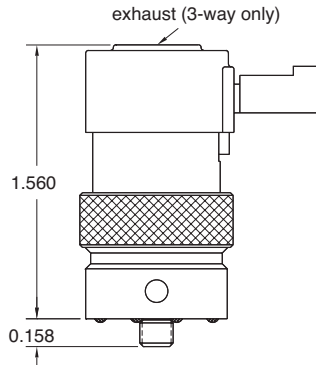


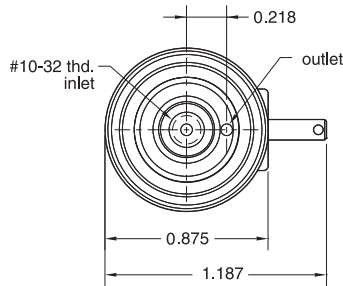


# NEW! OXYGEN CLEAN EV, ET, EC 2- & 3-WAY N-C VALVES MANIFOLD MOUNT

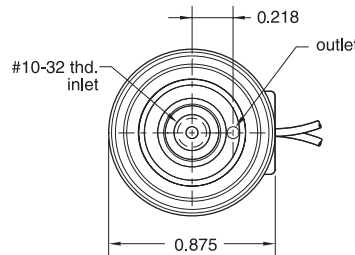
## O-EC - □ M - □ - □



## O-ET - □ M - □ - □



## O-EV - □ M - □ - □



**Type:** Normally-Closed 2- or 3-Way  
**Medium:** Air (40 micron filtration)  
**Temperature Range:** 30 to 180°F  
**Power Consumption:** 0.67 watt  
**Response:** 5 to 10 milliseconds  
**Mounting:** Manifold  
**Ports:** Manifold mounted with #10-32 stud  
**Operating Range:** 90% to 150% of rated voltage  
**Air Flow:** 0.6 scfm @ 100 psig; 17 l/min @ 7 bar  
 "L" option: 0.5 scfm @ 50 psig; 14 l/min @ 3.5 bar  
 "H" option: 0.45 scfm @ 25 psig; 13 l/min @ 1.8 bar  
**Pressure Range:** 28" Hg Vac. to 105 psig  
 "L" option: 28" Hg Vac. to 50 psig  
 "H" option: 28" Hg Vac. to 25 psig  
**Seals:** FKM



For Cable and Connectors, see Page 201.

### NUMBERING SYSTEM

O - E □ - □ M - □ - □

**C** - Connector  
**T** - Terminal Spades  
**V** - Wire Leads

**2** - 2-Way  
**3** - 3-Way

**Voltages: \***  
**6** - 6 VDC  
**12** - 12 VDC  
**24** - 24 VDC

**Standard Options:**  
**Blank** - Standard orifice 0.025"  
**L** - 0.040" orifice (50 psig max)  
**H** - 0.060" orifice (25 psig max)  
**Non-Standard Options:**  
**D** - Diode

\* Consult factory for availability of non-standard voltages and other options