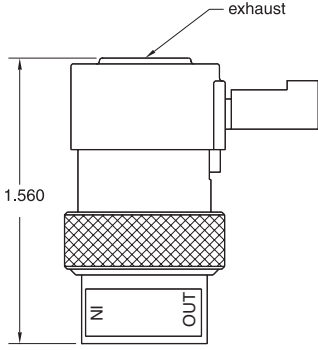


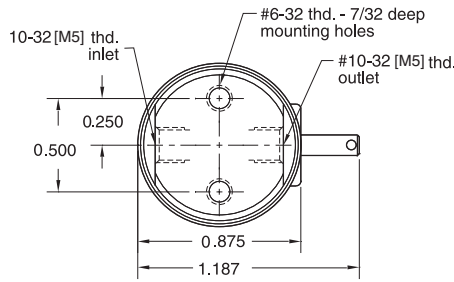
NEW! OXYGEN SERIES EV, ET, EC 2- & 3-WAY N-C VALVES IN-LINE MOUNT



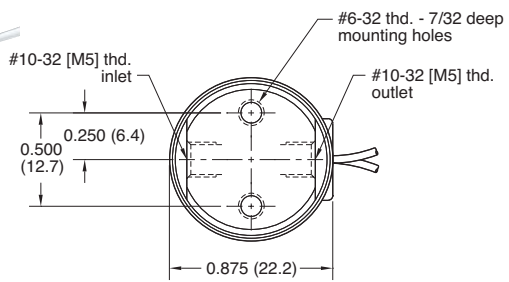
O-EC - □ - □ - □



O-ET - □ - □ - □



O-EV - □ - □ - □

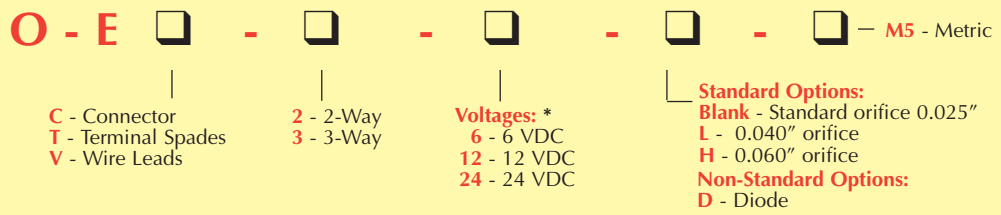


Type: Normally-Closed 2- or 3-Way
Medium: Air (40 micron filtration)
Temperature Range: 30 to 180°F
Power Consumption: 0.67 watt
Response: 5 to 10 milliseconds
Mounting: In-line
Ports: #10-32 [M5]
Operating Range: 90% to 150% of rated voltage
Air Flow: 0.6 scfm @ 100 psig;
 17 l/min @ 7 bar
 "L" option - 0.5 scfm @ 50 psig;
 14 l/min @ 3.5 bar
 "H" option - 0.45 scfm @ 25 psig;
 13 l/min @ 1.8 bar
Pressure Range:
 28" Hg Vac. to 105 psig;
 0 to 7 bar max
 "L" option:
 28" Hg Vac. to 50 psig;
 0 to 3.5 bar max
 "H" option:
 28" Hg Vac. to 25 psig;
 0 to 1.8 bar max
Seals: FKM



For Cable and Connectors, see Page 201.

NUMBERING SYSTEM



* Consult factory for availability of non-standard voltages and other options