



# MODULAR 4-WAY VALVES

## R-401



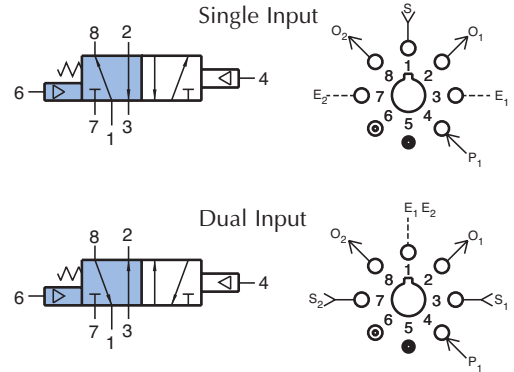
### 4-Way Valve

#### Features:

- Indicator shows valve in shaded position
- Micro gap construction - snap action and no blow by
- Balanced design allows speed control at exhausts

#### Performance:

**Flow:** 9 scfm @ 100 psig; 255 l/min @ 6.9 bars  
**Pilot Pressure Minimum:** 40 psig; 2.8 bars  
**Temperature:** 32° to 180° F  
**Working Pressure:** 0 to 150 psig; 0 to 10.3 bars



#### Description:

R-401 is a 4-way, spring return, pilot operated, fully ported 5-ported 4-way valve. R-401 is a versatile component in basic logic circuits, and can perform all 2, 3, and 4-way functions. Operates double acting cylinders, and allows speed control by restricting exhaust ports. It can be used with one input, two independent outputs and two independent exhausts, or with two independent inputs, two independent outputs and a common exhaust. Auxiliary pilot feature.

## R-402



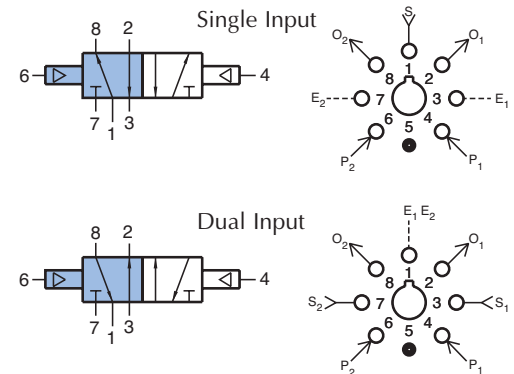
### 4-Way Valve

#### Features:

- Indicator shows valve in shaded position
- Micro gap construction - snap action and no blow by
- Balanced design allows speed control at exhausts

#### Performance:

**Flow:** 9 scfm @ 100 psig; 255 l/min @ 6.9 bars  
**Pilot Pressure Minimum:** 20 psig; 1.4 bars  
**Temperature:** 32° to 180° F  
**Working Pressure:** 0 to 150 psig; 0 to 10.3 bars



#### Description:

R-402 is a 4-way, double piloted, fully ported, 2-position valve. R-402 is a versatile component in basic logic circuits, and can perform all 2-, 3-, and 4-way functions. Operates double acting cylinders, and allows speed control by restricting exhaust ports.