



2-WAY TOGGLE VALVES



2-WAY TOGGLE VALVES

2-way valves are the simplest pneumatic component—their function is

merely to turn an air supply on and off. They may best be compared to a water faucet; in the “on” position water

flows from inlet to outlet, and in the “off” position the water flow is stopped. 2-way toggle valves may have a poppet or spool, and may be either a 2 position or have a momentary actuation.

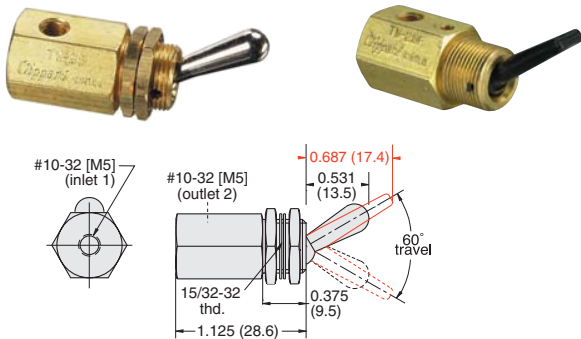
Medium: Air, Water or Oil

Materials: Brass body, Buna-N seals, stainless steel stem and spring

Force For Full Stem Travel: 12 oz. nominal

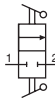
Mounting: 15/32-32 thread. Nuts and lockwashers furnished.

2 Position Spool Valves



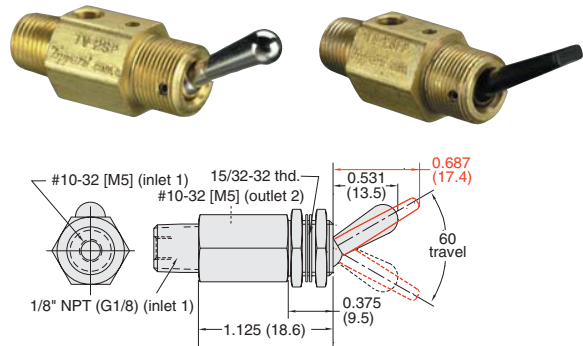
Input Pressure: 150 psig/10 bar max.

Air Flow: 4.5 scfm @ 50 psig; 8.0 scfm @ 100 psig; 190 l/min @ 6 bar



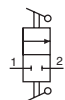
Part No.	Description
TV-2S	2 Position Spool Valve, NP Steel Toggle, #10-32
TV-2S-M5	2 Position Spool Valve, NP Steel Toggle, M5
TV-2SF	2 Position Spool Valve, Plastic Toggle, #10-32
TV-2SF-M5	2 Position Spool Valve, Plastic Toggle, M5

2 Pos. Spool Valves with 1/8" NPT Inlet



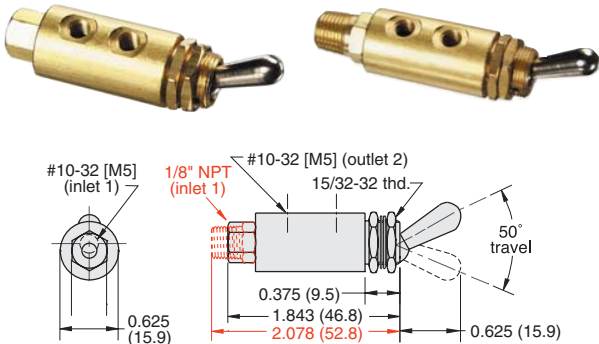
Input Pressure: 150 psig max.

Air Flow: 4.5 scfm @ 50 psig; 8.0 scfm @ 100 psig;



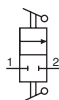
Part No.	Description
TV-2SP	2 Position Spool Valve, NP Steel Toggle, 1/8" NPT
TV-2SFP	2 Position Spool Valve, Plastic Toggle, 1/8" NPT

2 Position Poppet Valves



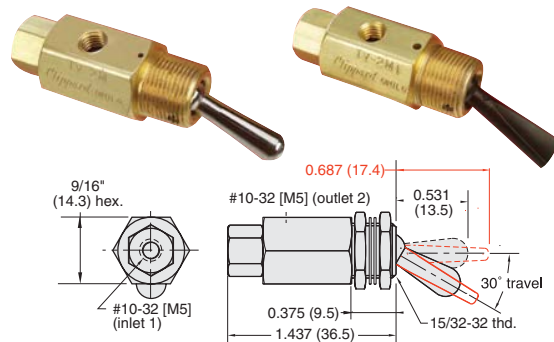
Input Pressure: 150 psig/10 bar max.

Air Flow: 4.0 scfm @ 50 psig; 7.3 scfm @ 100 psig; 175 l/min @ 6 bar



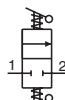
Part No.	Description
MTV-2	2 Position Poppet Valve, NP Brass Toggle, #10-32
MTV-2-M5	2 Position Poppet Valve, NP Brass Toggle, M5
MTV-2P	2 Position Poppet Valve, NP Brass Toggle, 1/8" NPT

2 Pos. N.C. Poppet with Momentary Actuation



Input Pressure: 150 psig/10 bar max.

Air Flow: 4.5 scfm @ 50 psig; 8.0 scfm @ 100 psig; 175 l/min @ 6 bar

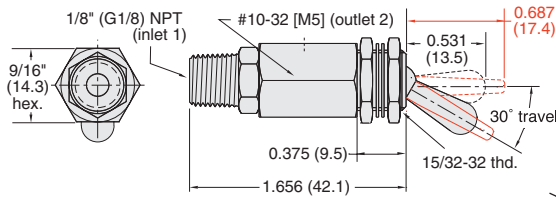


Part No.	Description
TV-2M	2 Position N.C. Poppet Valve, NP Steel Toggle, #10-32
TV-2M-M5	2 Position N.C. Poppet Valve, NP Steel Toggle, M5
TV-2MF	2 Position N.C. Poppet Valve, Plastic Toggle, #10-32
TV-2MF-M5	2 Position N.C. Poppet Valve, Plastic Toggle, M5

2-WAY TOGGLE VALVES



2 Pos. N.C. Poppet w/Momentary Actuation



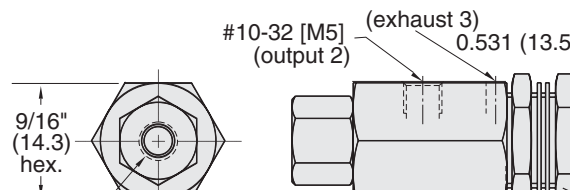
Input Pressure: 150 psig max.

Air Flow: 4.0 scfm @ 50 psig; 6.8 scfm @ 100 psig



Part No.	Description
TV-2MP	2 Position Poppet Valve, NP Steel Toggle, 1/8" NPT
TV-2MFP	2 Position Poppet Valve, Plastic Toggle, 1/8" NPT

2 Pos. N.O. Spool w/Momentary Actuation



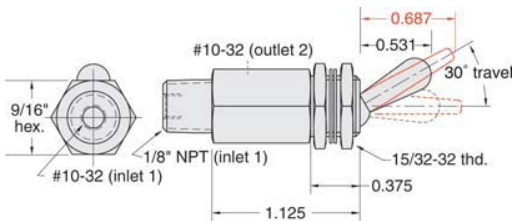
Input Pressure: 150 psig/10 bar max

Air Flow: 4.5 scfm @ 50 psig; 8.0 scfm @ 100 psig;
190 l/min @ 6 bar



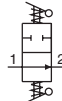
Part No.	Description
TVO-2M	2 Position N.O. Spool Valve, NP Steel Toggle, #10-32
TVO-2M-M5	2 Position N.O. Spool Valve, NP Steel Toggle, M5
TVO-2MF	2 Position N.O. Spool Valve, Plastic Toggle, #10-32
TVO-2MF-M5	2 Position N.O. Spool Valve, Plastic Toggle, M5

2 Pos. N.O. Spool with Momentary Actuation



Input Pressure: 150 psig max.

Air Flow: 4.0 scfm @ 50 psig; 6.8 scfm @ 100 psig



Part No.	Description
TVO-2MP	2 Position Spool Spool Valve, NP Steel Toggle
TVO-2MFP	2 Position Spool Spool Valve, Plastic Toggle

Did you know...

that Clippard was the first to use the #10-32 threaded port for Miniature valves, cylinders, and fittings which continues to be the industry standard today.