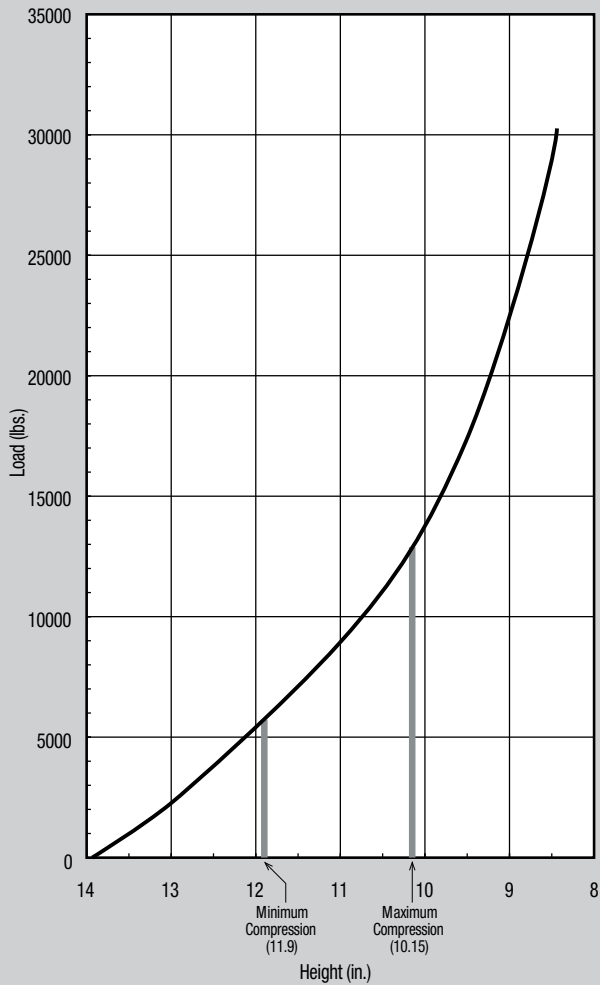
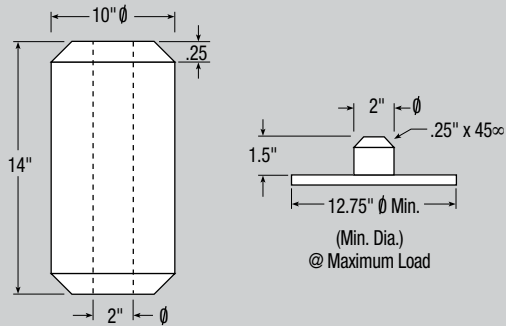


IMPERIAL

| Compression (%) | 15.0 | 20.0 | 22.5 | 25.0 | 27.5 |
|----------------------------|-------|------|------|-------|-------|
| Load (lbs.) | 5500 | 7850 | 9150 | 10750 | 12250 |
| Height (in.) | 11.9 | 11.2 | 10.9 | 10.5 | 10.2 |
| Rate (lbs./in.) | 3422 | 3752 | 3897 | 4031 | 4156 |
| Effective Deflection (in.) | 1.6 | 2.1 | 2.3 | 2.7 | 2.9 |
| Natural Freq. (CPM) | 148 | 130 | 123 | 115 | 110 |
| Maximum OD (in.) | 12.7 | | | | |
| Weight (lbs.) | 37.28 | | | | |



METRIC

| Compression (%) | 15.0 | 20.0 | 22.5 | 25.0 | 27.5 |
|---------------------------|-------|-------|-------|-------|-------|
| Load (kN) | 24.44 | 34.89 | 40.67 | 47.78 | 54.44 |
| Height (mm) | 302 | 284 | 277 | 267 | 259 |
| Rate (kN/m) | 598 | 656 | 681 | 705 | 727 |
| Effective Deflection (mm) | 41 | 53 | 58 | 69 | 74 |
| Natural Freq. (Hz) | 2.47 | 2.17 | 2.05 | 1.92 | 1.83 |
| Maximum OD (mm) | 323 | | | | |
| Weight (kg) | 16.98 | | | | |

