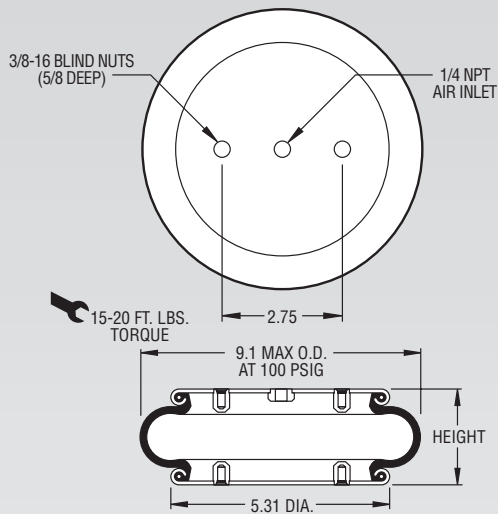


Description		Assembly Order No.
Style 116	Blind nuts, 1/4 NPT	WO1-358-7564
	Blind nuts, 3/4 NPT	WO1-358-7561
Two Ply Bellows	Countersunk steel bead rings, 1 3/4 bolts, nuts, washers	WO1-358-7568
	Blind nuts with installed 1/4 tank valve	WO1-A72-7518
	Rubber bellows only	WO1-358-0133
Assembly weight .....		4.3 lbs.
Force to collapse to minimum height (@ 0 PSIG).....		8 lbs.
Style 117	Blind nuts, 1/4 NPT	WO1-358-7600
	Blind nuts, 3/4 NPT	WO1-358-7602
High Strength Bellows	Countersunk steel bead rings, 1 3/4 bolts, nuts, washers	WO1-358-7606



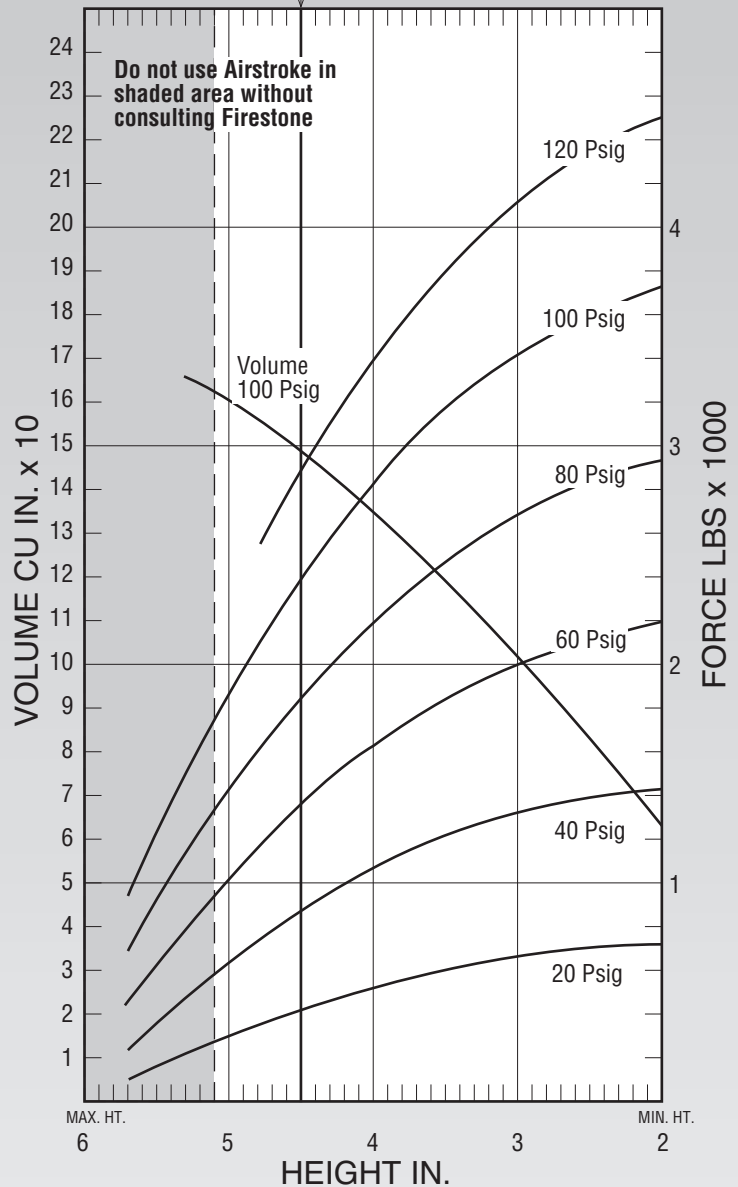
**NOTE: A bead plate part is shown. This part is also available with bead rings. See pages 8-10 for explanation.**

Dynamic Characteristics at 4.5 in. Design Height (Required for Airmount isolator design only)				
Volume @ 100 PSIG = 149 in <sup>3</sup>			Natural Frequency	
Gage Pressure (PSIG)	Load (lbs.)	Spring Rate (lbs./in.)	CPM	HZ
40	850	736	175	2.91
60	1,330	1,070	168	2.80
80	1,830	1,374	163	2.71
100	2,360	1,688	159	2.65

Recommended Design Position Static Pressure 0-100 psi

RECOMMENDED AIRMOUNT DESIGN HEIGHT 4.5 INCHES

Static Data C0487



See page 12 for instructions on how to use chart.

Force Table (Use for Airstroke™ actuator design)						
Assembly Height (in.)	Volume @ 100 PSIG (in <sup>3</sup> )	Pounds Force				
		@20 PSIG	@40 PSIG	@60 PSIG	@80 PSIG	@100 PSIG
5.0	161	290	600	970	1,370	1,800
4.0	135	520	1,050	1,630	2,210	2,820
3.0	102	650	1,310	2,000	2,690	3,410