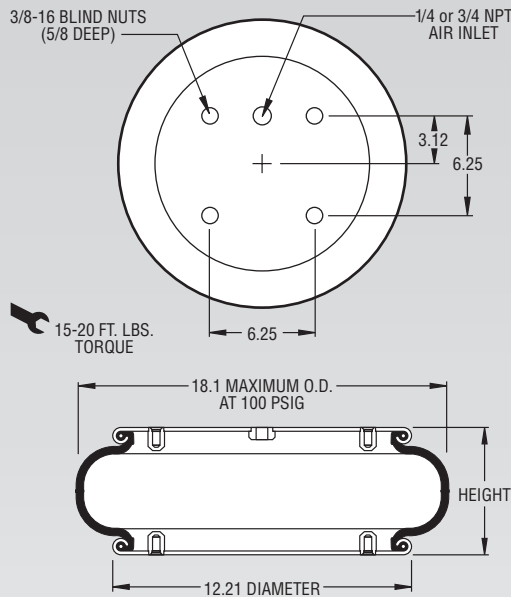
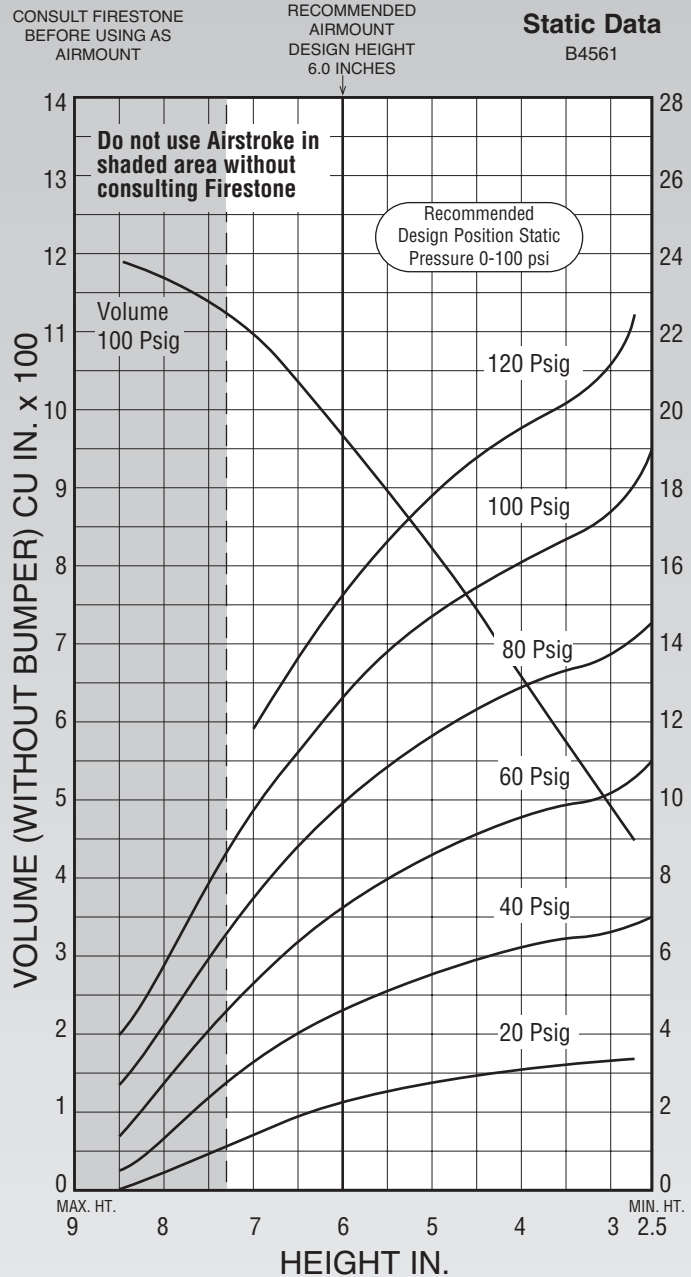


| | Description | Assembly Order No. |
|-----------------------|---|--------------------|
| Style 153-2 | Blind nuts, 1/4 NPT | WO1-358-8158 |
| | Blind nuts, 3/4 NPT | WO1-358-8157 |
| Two Ply Bellows | Ribbed neck aluminum bead bead rings (equal spacing) 1 7/8 bolts, nuts, washers | WO1-358-8165 |
| | Rubber bellows only | WO1-358-1201 |
| Assembly weight | | 17.1 lbs. |



NOTE: A bead plate part is shown. This part is also available with bead rings. See pages 8-10 for explanation.



See page 12 for instructions on how to use chart.

| Dynamic Characteristics at 6.0 in. Design Height (Required for Airmount isolator design only) | | | | |
|--|-------------|------------------------|-------------------|------|
| Volume @ 100 PSIG = 981 in ³ | | | Natural Frequency | |
| Gage Pressure (PSIG) | Load (lbs.) | Spring Rate (lbs./in.) | CPM | HZ |
| 40 | 4,564 | 2,202 | 131 | 2.18 |
| 60 | 7,048 | 3,153 | 126 | 2.10 |
| 80 | 9,682 | 4,031 | 121 | 2.02 |
| 100 | 12,385 | 4,958 | 119 | 1.98 |

| Force Table (Use for Airstroke™ actuator design) | | | | | | |
|--|--------------------------------------|--------------|----------|----------|----------|-----------|
| Assembly Height (in.) | Volume @ 100 PSIG (in ³) | Pounds Force | | | | |
| | | @20 PSIG | @40 PSIG | @60 PSIG | @80 PSIG | @100 PSIG |
| 8.0 | 1,169 | 425 | 1,260 | 2,566 | 4,038 | 5,636 |
| 7.0 | 1,094 | 1,423 | 3,210 | 5,194 | 7,334 | 9,528 |
| 6.0 | 981 | 2,140 | 4,564 | 7,048 | 9,682 | 12,385 |
| 5.0 | 840 | 2,676 | 5,476 | 8,458 | 11,440 | 14,471 |
| 4.0 | 679 | 3,051 | 6,153 | 9,478 | 12,738 | 15,965 |
| 3.0 | 510 | 3,219 | 6,609 | 10,069 | 13,550 | 17,218 |