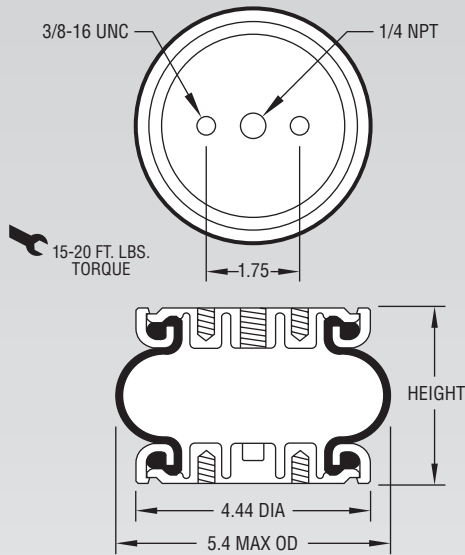


| Description | | Assembly Order No. |
|---|------------------------|--------------------|
| Style 16-ST | Blind nuts, 1/4 NPT | WO2-358-5000 |
| Two Ply Bellows | Stainless steel plates | WO1-358-7609 |
| Assembly weight | | 1.25 lbs. |
| Force to collapse to minimum height (@ 0 PSIG)..... | | 8.0 lbs. |

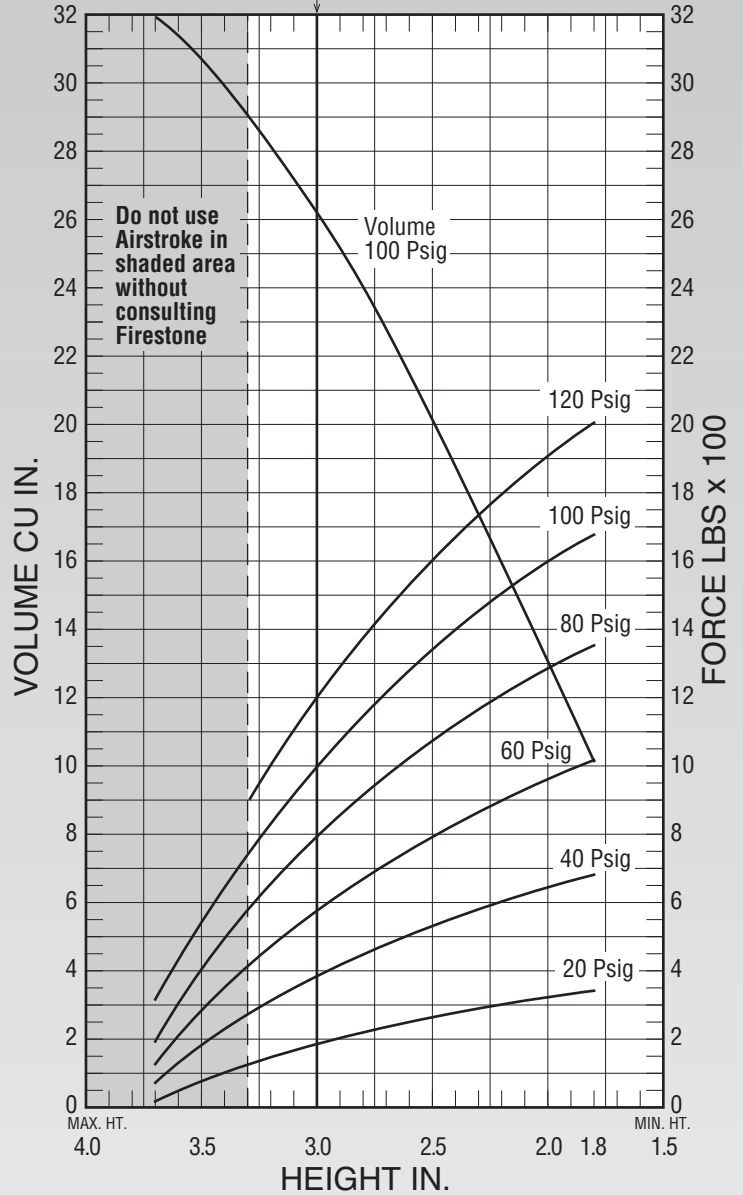


NOTE: The bellows extends beyond the bead plates at minimum height.

Recommended Design Position Static Pressure 0-100 psi

RECOMMENDED AIRMOUNT DESIGN HEIGHT 3.0 INCHES

Static Data
B4165



See page 12 for instructions on how to use chart.

| Dynamic Characteristics at 3.0 in. Design Height (Required for Airmount isolator design only) | | | | |
|--|-------------|------------------------|-------------------|-----|
| Volume @ 100 PSIG = 26.2 in ³ | | | Natural Frequency | |
| Gage Pressure (PSIG) | Load (lbs.) | Spring Rate (lbs./in.) | CPM | HZ |
| 40 | 400 | 704 | 249 | 4.2 |
| 60 | 600 | 1,003 | 243 | 4.1 |
| 80 | 800 | 1,303 | 240 | 4.0 |
| 100 | 1,000 | 1,602 | 238 | 4.0 |

| Force Table (Use for Airstroke™ actuator design) | | | | | | |
|--|--------------------------------------|--------------|----------|----------|----------|-----------|
| Assembly Height (in.) | Volume @ 100 PSIG (in ³) | Pounds Force | | | | |
| | | @20 PSIG | @40 PSIG | @60 PSIG | @80 PSIG | @100 PSIG |
| 3.3 | 29.0 | 130 | 270 | 410 | 590 | 780 |
| 3.0 | 26.2 | 200 | 400 | 600 | 800 | 1,000 |
| 2.5 | 20.0 | 270 | 530 | 800 | 1,070 | 1,330 |
| 2.0 | 12.5 | 320 | 640 | 960 | 1,280 | 1,600 |
| 1.8 | 10.0 | 340 | 670 | 1,010 | 1,350 | 1,680 |