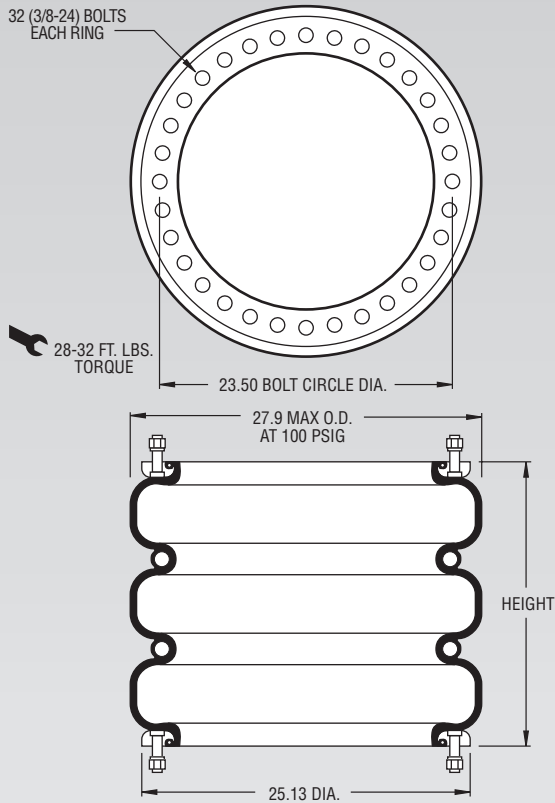


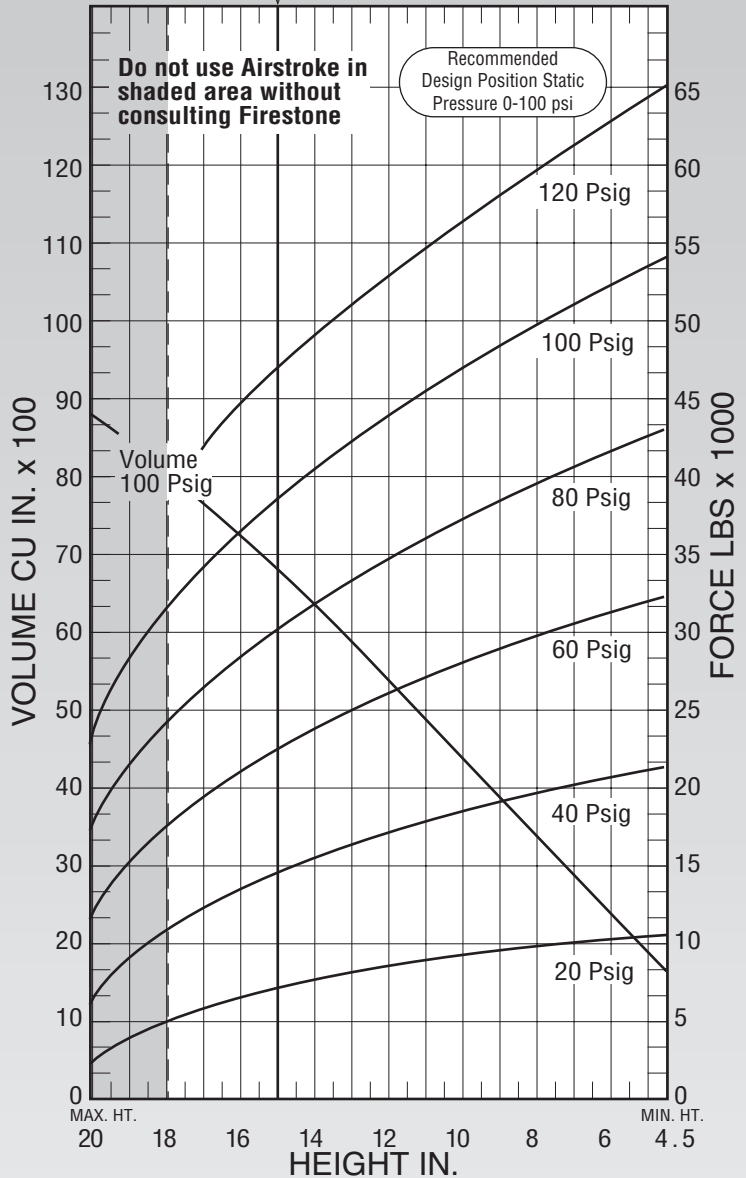
Description		Assembly Order No.
Style 321	Ribbed neck aluminum bead rings (equal spacing), 1 7/8 bolts, nuts, washers	WO1-358-7304
Two Ply High Strength Bellows	Ribbed neck aluminum bead rings (unequal spacing) 1 7/8 b,n,w	WO1-358-7306
	Rubber bellows only	WO1-358-7919
Assembly weight.....		51.3 lbs
Force to collapse to minimum height (@ 0 PSIG)....		180 lbs.



CONSULT FIRESTONE BEFORE USING AS AIRMOUNT

RECOMMENDED AIRMOUNT DESIGN HEIGHT 15.0 INCHES

Static Data
B6252



See page 12 for instructions on how to use chart.

Dynamic Characteristics at 15.0 in. Design Height (Required for Airmount isolator design only)				
Volume @ 100 PSIG = 6,984 in ³			Natural Frequency	
Gage Pressure (PSIG)	Load (lbs.)	Spring Rate (lbs./in.)	CPM	HZ
40	15,080	2,731	80	1.34
60	23,220	3,602	74	1.23
80	31,160	4,554	72	1.20
100	39,070	5,532	71	1.18

Force Table (Use for Airstroke™ actuator design)						
Assembly Height (in.)	Volume @ 100 PSIG (in ³)	Pounds Force				
		@20 PSIG	@40 PSIG	@60 PSIG	@80 PSIG	@100 PSIG
18.0	8,136	5,300	11,230	17,840	24,760	31,660
16.0	7,390	6,830	13,920	21,490	29,220	37,010
14.0	6,560	7,830	15,890	24,130	32,390	40,830
12.0	5,660	8,230	17,080	25,960	34,870	44,060
10.0	4,711	8,950	18,220	27,640	36,450	46,370
8.0	3,717	9,250	19,030	29,160	39,320	49,270
6.0	2,653	10,100	20,350	31,200	41,890	52,170