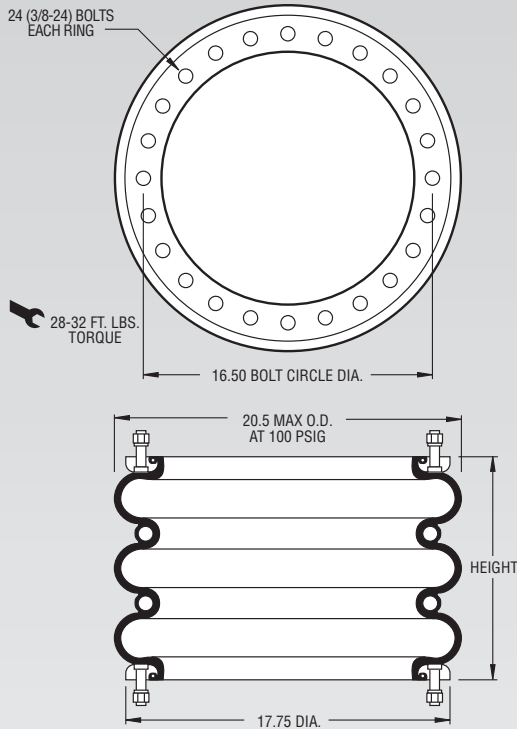


Description		Assembly Order No.
Style 323	Ribbed neck aluminum bead rings (equal spacing), 1 7/8 bolts, nuts, washers	WO1-358-7823
Two Ply Bellows	Rubber bellows only	WO1-358-7921
	Rolled plate assembly, 1/2 blind nuts, 3/4 NPT	WO1-358-7274
Assembly weight		31.1 lbs
Force to collapse to minimum height (@ 0 PSIG).....		70 lbs.

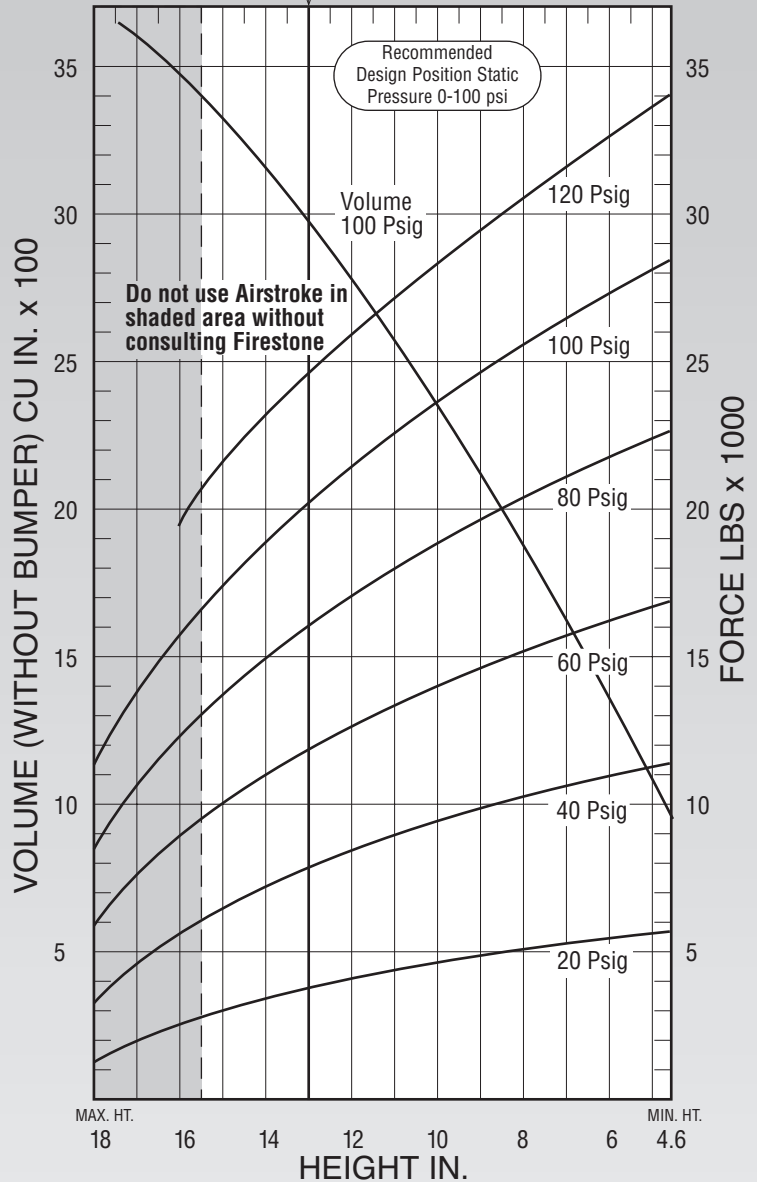
Style 324	Ribbed neck aluminum bead rings (equal spacing), 1 7/8 bolts, nuts, washers	WO1-358-7829
High Strength Bellows	Rubber bellows only	WO1-358-0324



NOTE: A bead ring part is shown. This part is also available with rolled plates. See page 11 for explanation.

Dynamic Characteristics at 13.0 in. Design Height (Required for Airmount isolator design only)				
Volume @ 100 PSIG = 3,073 in ³			Natural Frequency	
Gage Pressure (PSIG)	Load (lbs.)	Spring Rate (lbs./in.)	CPM	HZ
40	8,010	1,744	88	1.46
60	12,030	2,104	78	1.31
80	16,270	2,784	78	1.30
100	20,580	3,624	79	1.31

CONSULT FIRESTONE BEFORE USING AS AIRMOUNT
RECOMMENDED AIRMOUNT DESIGN HEIGHT 13.0 INCHES
Static Data B5385



See page 12 for instructions on how to use chart.

Force Table (Use for Airstroke™ actuator design)						
Assembly Height (in.)	Volume @ 100 PSIG (in ³)	Pounds Force				
		@20 PSIG	@40 PSIG	@60 PSIG	@80 PSIG	@100 PSIG
15.0	3,470	3,220	6,640	10,280	13,960	17,740
13.0	3,073	3,960	8,010	12,030	16,270	20,580
11.0	2,632	4,330	8,910	13,420	18,030	22,770
9.0	2,150	4,740	9,610	14,450	19,410	24,420
7.0	1,639	5,030	10,120	15,410	20,770	26,200
5.0	1,093	5,610	11,140	16,590	22,380	28,170