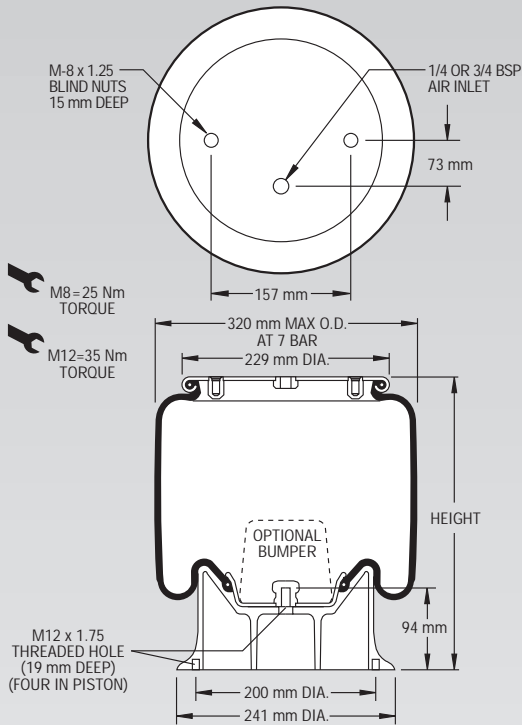


NOTE: All Assembly Order Numbers are for bead plate parts unless noted otherwise.

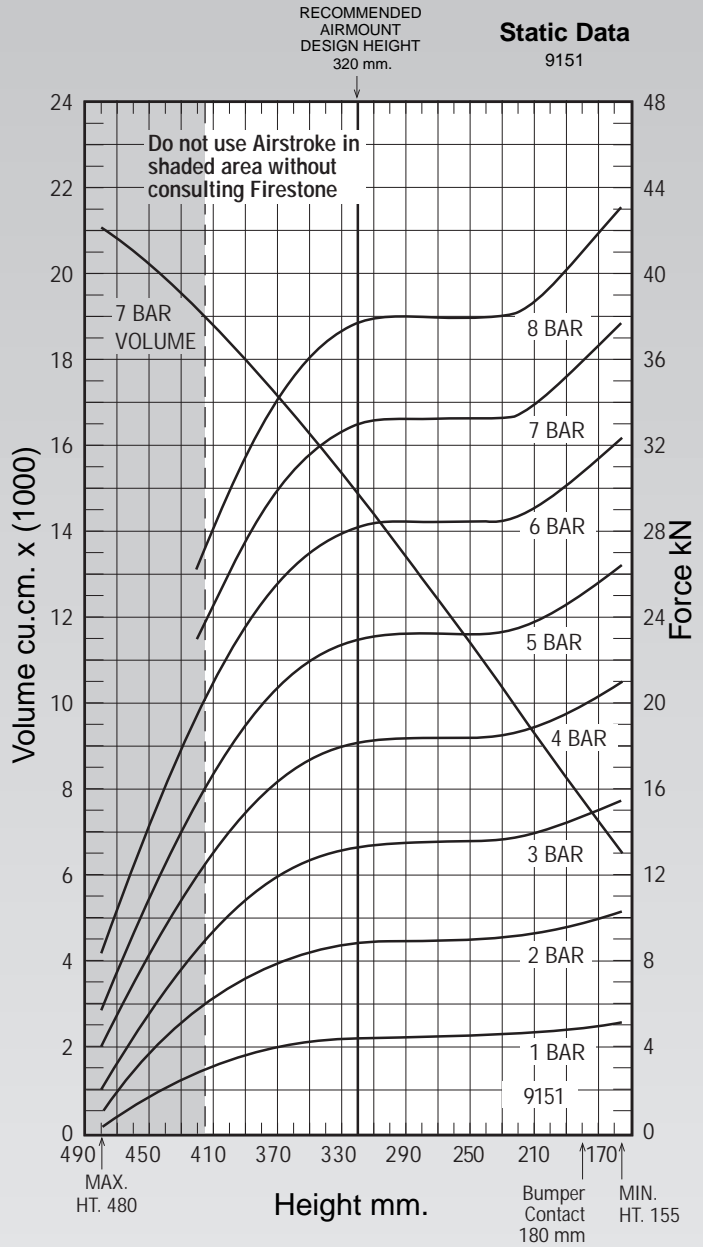
| | Description | Assembly Order No. |
|-----------------------|-----------------------------|--------------------|
| Style | Blind nuts, 1/4 BSP | W01-M58-6284 |
| 1T15M-4 | Blind nuts, 1/4 BSP, bumper | W01-M58-6283 |
| Two | Blind nuts, 3/4 BSP | W01-M58-6280 |
| Ply | Blind nuts, 3/4 BSP, bumper | W01-M58-6281 |
| Bellows | | |
| Assembly weight | | 6.49 kg. |



NOTE: Bellows will not compress properly with less than .7 BAR internal pressure.

NOTE: A bead plate part is shown. This part is also available with a bead ring. Bolts are not included. See pages 8-10 for explanation.

| Gauge Pressure (BAR) | Load (kN) | Spring Rate (kN/m) | Natural Frequency Hz |
|----------------------|-----------|--------------------|----------------------|
| 3 | 13.30 | 94 | 1.33 |
| 4 | 18.18 | 121 | 1.29 |
| 5 | 22.97 | 147 | 1.26 |
| 6 | 28.21 | 173 | 1.24 |
| 7 | 32.97 | 198 | 1.22 |



See page 12 for instructions on how to use chart.

| Assembly Height (mm) | Volume @ 7 BAR (cu cm) | EFF Area @ 7 BAR (cm sq) | kN Force | | | | |
|----------------------|------------------------|--------------------------|----------|---------|---------|---------|---------|
| | | | @ 3 BAR | @ 4 BAR | @ 5 BAR | @ 6 BAR | @ 7 BAR |
| 400 | 18412 | 371 | 10.00 | 13.84 | 17.67 | 22.06 | 25.95 |
| 360 | 16746 | 439 | 12.25 | 16.79 | 21.27 | 26.24 | 30.73 |
| 320 | 14853 | 471 | 13.30 | 18.18 | 22.97 | 28.21 | 32.97 |
| 280 | 12874 | 475 | 13.48 | 18.41 | 23.23 | 28.47 | 33.24 |
| 240 | 10870 | 475 | 13.53 | 18.41 | 23.23 | 28.47 | 33.24 |
| 200 | 8827 | 491 | 14.11 | 19.11 | 24.09 | 29.47 | 34.39 |
| 160 | 6803 | 533 | 15.26 | 20.70 | 26.12 | 32.00 | 37.34 |