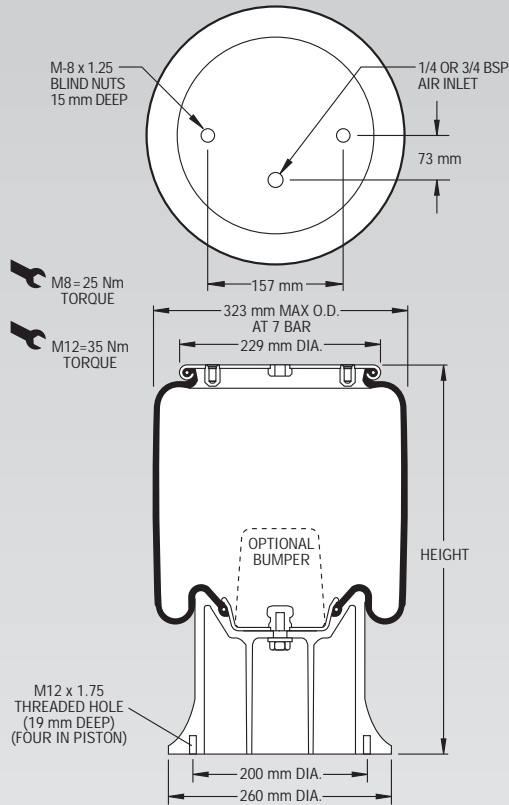


**NOTE: All Assembly Order Numbers are for bead plate parts unless noted otherwise.**

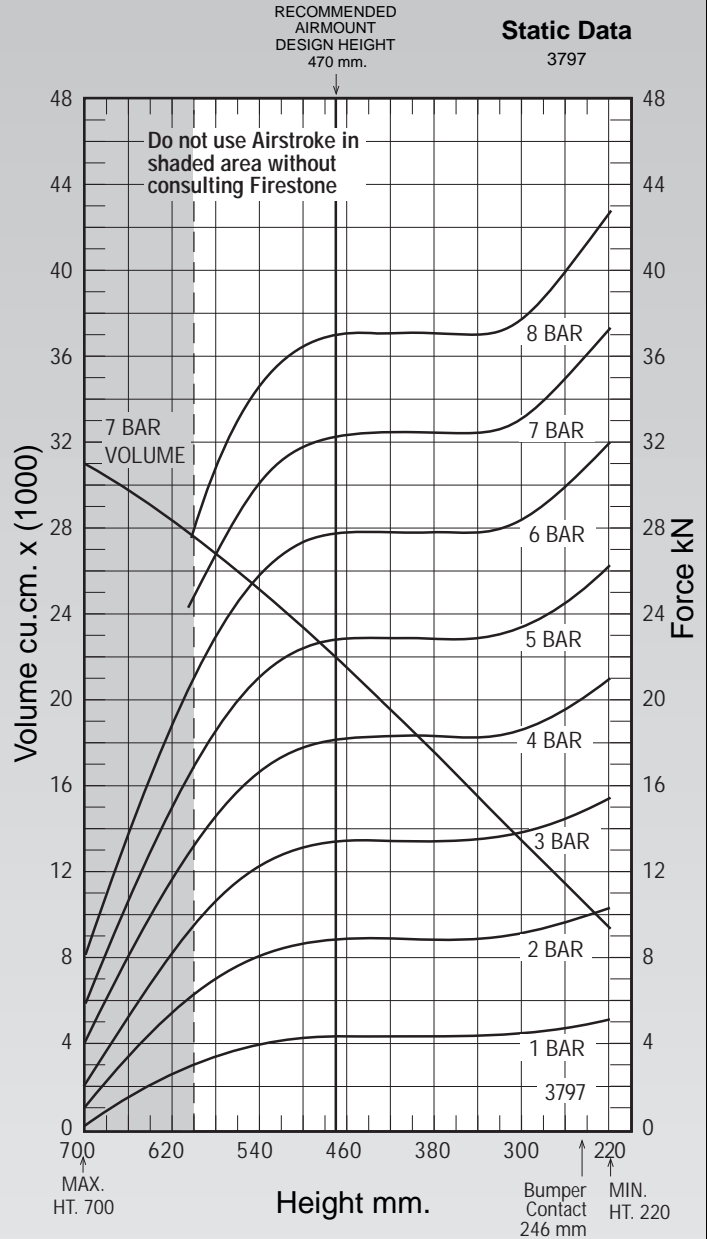
	Description	Assembly Order No.
Style 1T15M-9	Blind nuts, 1/4 BSP	W01-M58-6304
	Blind nuts, 1/4 BSP, bumper	W01-M58-3605
Two Ply Bellows	Blind nuts, 3/4 BSP	W01-M58-6300
	Blind nuts, 3/4 BSP, bumper	W01-M58-6301
Assembly weight .....		8.16 kg.



**NOTE: Bellows will not compress properly with less than .7 BAR internal pressure.**

**NOTE: A bead plate part is shown. This part is also available with a bead ring. Bolts are not included. See pages 8-10 for explanation.**

Gauge Pressure (BAR)	Load (kN)	Spring Rate (kN/m)	Natural Frequency Hz
3	13.36	60	1.05
4	18.21	78	1.03
5	22.82	92	1.00
6	27.76	107	.98
7	32.35	121	.96



See page 12 for instructions on how to use chart.

Assembly Height (mm)	Volume @ 7 BAR (cu cm)	EFF Area @ 7 BAR (cm sq)	kN Force				
			@ 3 BAR	@ 4 BAR	@ 5 BAR	@ 6 BAR	@ 7 BAR
560	26024	411	11.50	15.68	19.84	24.50	28.73
520	24282	446	12.75	17.33	21.81	26.70	31.20
480	22386	461	13.30	18.12	22.72	27.67	32.25
440	20414	463	13.41	18.29	22.90	27.81	32.40
400	18453	463	13.41	18.29	22.90	27.81	32.40
360	16464	463	13.41	18.29	22.90	27.81	32.40
320	14405	465	13.59	18.33	22.99	27.94	32.52
280	12395	485	14.10	19.06	23.94	29.14	33.94