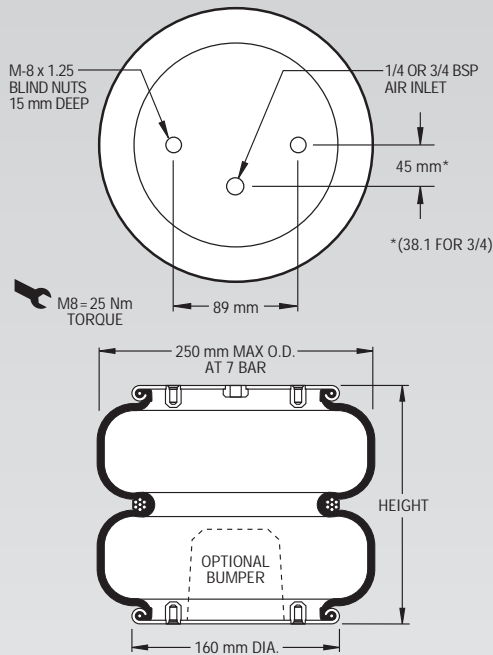


**NOTE: All Assembly Order Numbers are for bead plate parts unless noted otherwise.**

	Description	Assembly Order No.
Style	Blind nuts, 1/4 BSP	W01-M58-6183
	Blind nuts, 3/4 BSP	W01-M58-6194
Two Ply	Countersunk steel bead rings, 40 mm bolts, nuts, washers	SEE NOTE BELOW
Bellows	Rubber bellows only	W01-M58-6146
Assembly weight.....		3.50 kg.
Force to collapse to minimum height (@ 0 BAR)		75 N.

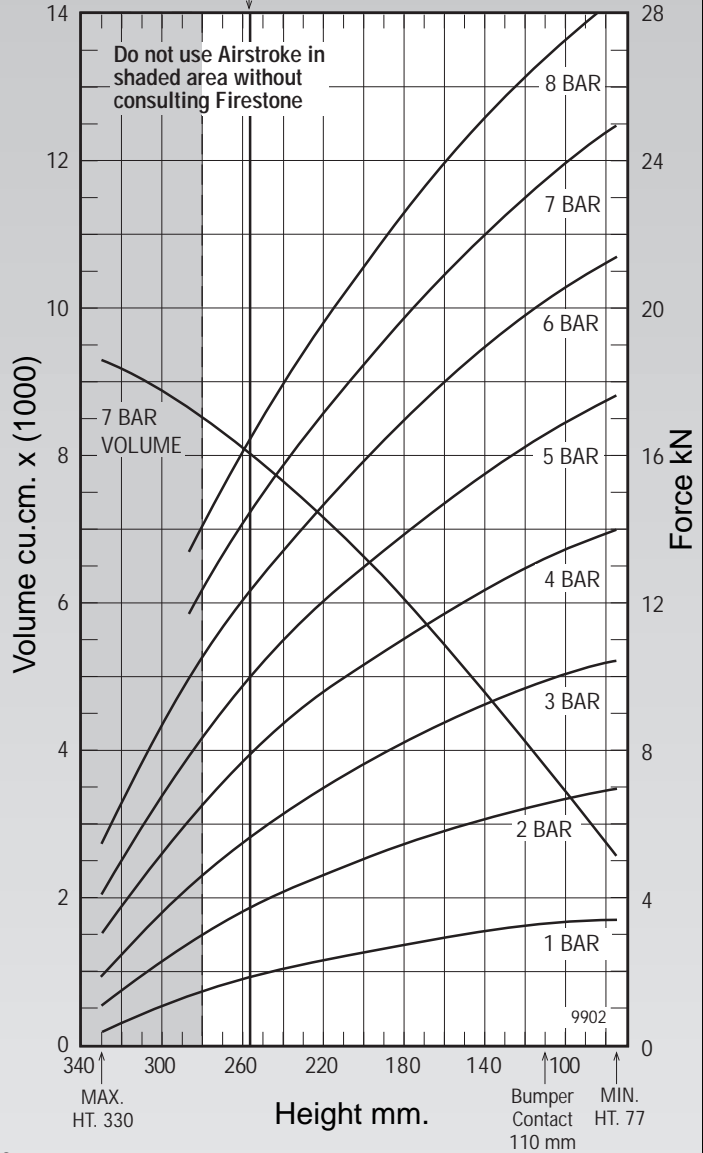


**NOTE: A bead plate part is shown. This part is also available with bead rings. See pages 8-10 for explanation.**

Dynamic Characteristics at 254 mm Design Height (Required for Airmount isolator design only)			
Gauge Pressure (BAR)	Load (kN)	Spring Rate (kN/m)	Natural Frequency Hz
3	5.71	71	1.76
4	8.12	91	1.67
5	10.15	108	1.63
6	12.45	126	1.59
7	14.58	144	1.57

RECOMMENDED  
AIRMOUNT  
DESIGN HEIGHT  
254 mm.

**Static Data**  
9902



See page 12 for instructions on how to use chart.

Force Table (Use for Airstroke <sup>®</sup> actuator design)							
Assembly Height (mm)	Volume @ 7 BAR (cu cm)	EFF Area @ 7 BAR (cm sq)	kN Force				
			@ 3 BAR	@ 4 BAR	@ 5 BAR	@ 6 BAR	@ 7 BAR
280	8531	175	4.52	6.43	8.27	10.41	12.28
260	8130	201	5.43	7.58	9.65	11.97	14.05
240	7682	223	6.24	8.60	10.86	13.36	15.63
220	7189	244	6.96	9.51	11.95	14.61	17.07
200	6637	263	7.58	10.31	12.94	15.79	18.43
180	6048	282	8.16	11.03	13.85	16.91	19.73
160	5424	299	8.70	11.70	14.71	17.96	20.96
140	4770	315	9.23	12.33	15.49	18.89	22.02