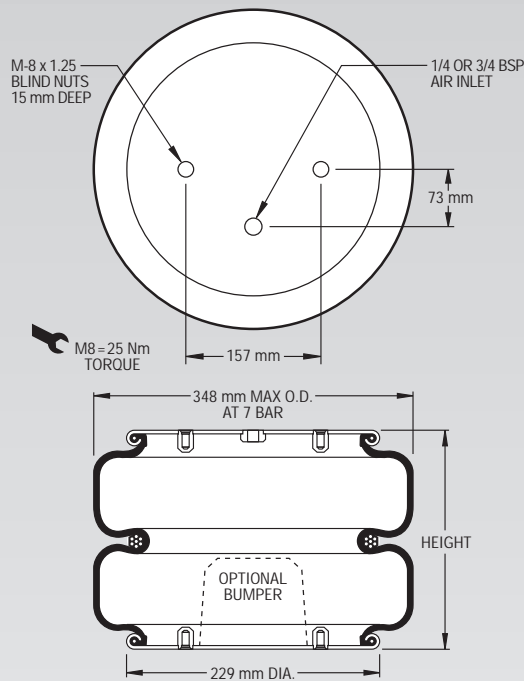


NOTE: All Assembly Order Numbers are for bead plate parts unless noted otherwise.

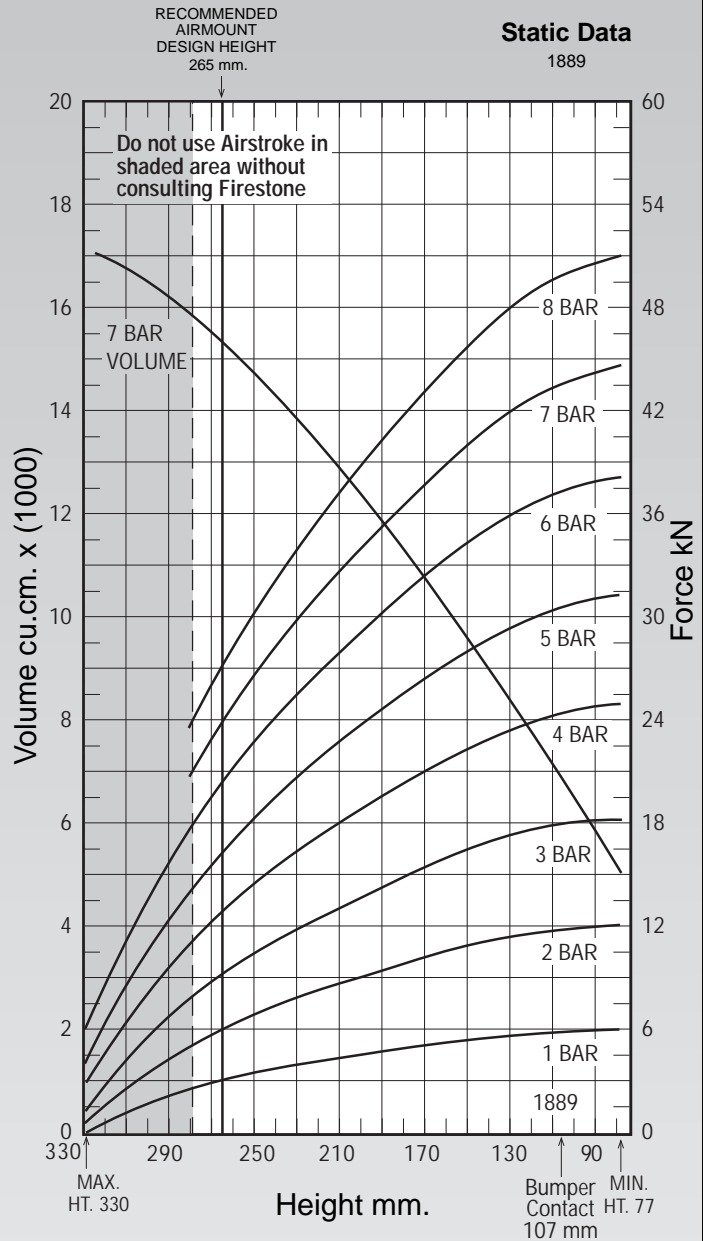
| | Description | Assembly Order No. |
|---|---------------------|--------------------|
| Style 22-1.5 | Blind nuts, 1/4 BSP | W01-M58-6384 |
| | Blind nuts, 3/4 BSP | W01-M58-6383 |
| Two Ply Bellows | Rubber bellows only | W01-358-0259 |
| Assembly weight (bead plate version, no bumper) | | 5.85 kg. |
| Force to collapse to minimum height (@ 0 BAR) | | 116 N. |



NOTE: The bellows extends beyond the bead plates at minimum height.

NOTE: A bead plate part is shown. This part is also available with bead rings. See pages 8-10 for explanation.

| Gauge Pressure (BAR) | Load (kN) | Spring Rate (kN/m) | Natural Frequency Hz |
|----------------------|-----------|--------------------|----------------------|
| 3 | 9.12 | 129 | 1.87 |
| 4 | 12.82 | 170 | 1.82 |
| 5 | 16.30 | 208 | 1.78 |
| 6 | 20.28 | 246 | 1.74 |
| 7 | 23.86 | 282 | 1.71 |



See page 12 for instructions on how to use chart.

| Assembly Height (mm) | Volume @ 7 BAR (cu cm) | EFF Area @ 7 BAR (cm sq) | kN Force | | | | |
|----------------------|------------------------|--------------------------|----------|---------|---------|---------|---------|
| | | | @ 3 BAR | @ 4 BAR | @ 5 BAR | @ 6 BAR | @ 7 BAR |
| 270 | 15435 | 327 | 8.67 | 12.21 | 15.55 | 19.41 | 22.87 |
| 230 | 13823 | 424 | 11.73 | 16.31 | 20.58 | 25.32 | 29.64 |
| 190 | 11833 | 502 | 14.16 | 19.45 | 24.50 | 30.04 | 35.13 |
| 150 | 9521 | 571 | 16.31 | 22.17 | 27.91 | 34.20 | 39.97 |
| 110 | 7032 | 619 | 17.73 | 24.18 | 30.37 | 37.11 | 43.34 |
| 80 | 4521 | 635 | 18.21 | 24.84 | 31.20 | 38.10 | 44.48 |