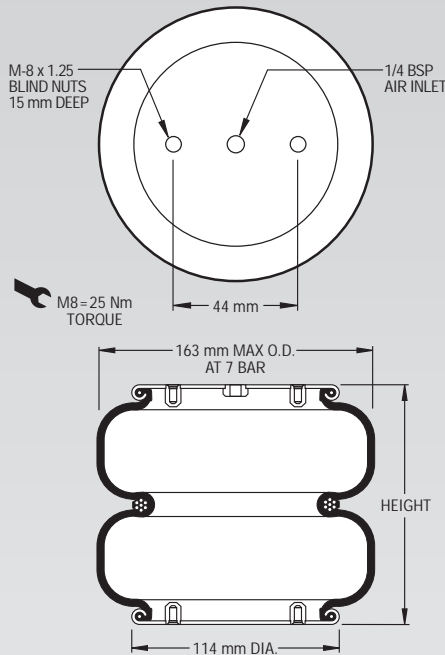


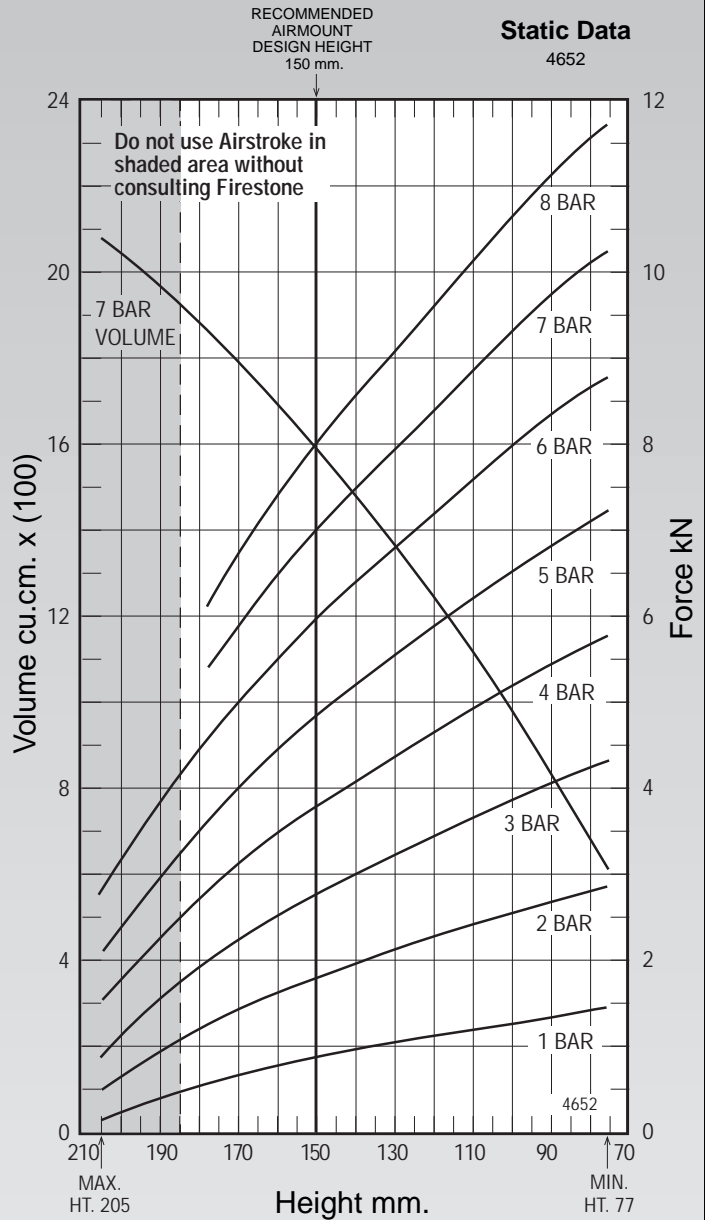
NOTE: All Assembly Order Numbers are for bead plate parts unless noted otherwise.

	Description	Assembly Order No.
Style	Blind nuts, 1/4 BSP	W01-M58-6105
255-1.5	Socket head aluminum bead rings (bolts, nuts, washers not included, use cap screws)	SEE NOTE BELOW
Two Ply Bellows		
Assembly weight		1.7 kg.
Force to collapse to minimum height (@ 0 BAR)		190 N.



NOTE: A bead plate part is shown. This part is also available with bead rings. Bolts are not included. See pages 8-10 for explanation.

Dynamic Characteristics at 150 mm Design Height (Required for Airmount isolator design only)			
Gauge Pressure (BAR)	Load (kN)	Spring Rate (kN/m)	Natural Frequency Hz
3	2.71	59	2.33
4	3.75	73	2.21
5	4.83	90	2.16
6	5.98	106	2.11
7	7.00	121	2.08



See page 12 for instructions on how to use chart.

Force Table (Use for Airstroke® actuator design)							
Assembly Height (mm)	Volume @ 7 BAR (cu cm)	EFF Area @ 7 BAR (cm sq)	kN Force				
			@ 3 BAR	@ 4 BAR	@ 5 BAR	@ 6 BAR	@ 7 BAR
180	1896	74	1.91	2.71	3.49	4.40	5.19
160	1708	92	2.51	3.46	4.41	5.47	6.43
140	1491	106	3.01	4.09	5.18	6.37	7.43
120	1255	119	3.44	4.64	5.85	7.15	8.33
100	992	132	3.84	5.16	6.49	7.92	9.23
80	703	144	4.22	5.65	7.08	8.62	10.06