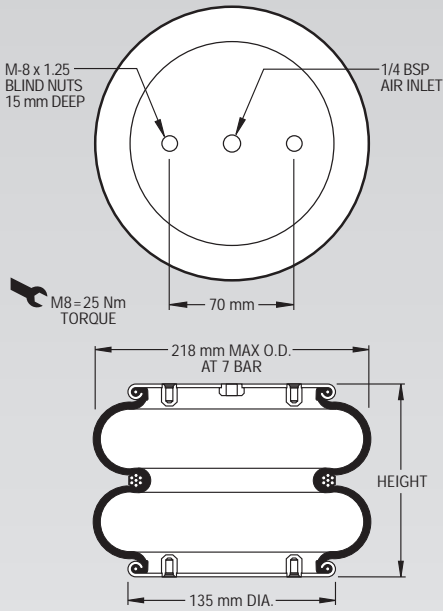


**NOTE: All Assembly Order Numbers are for bead plate parts unless noted otherwise.**

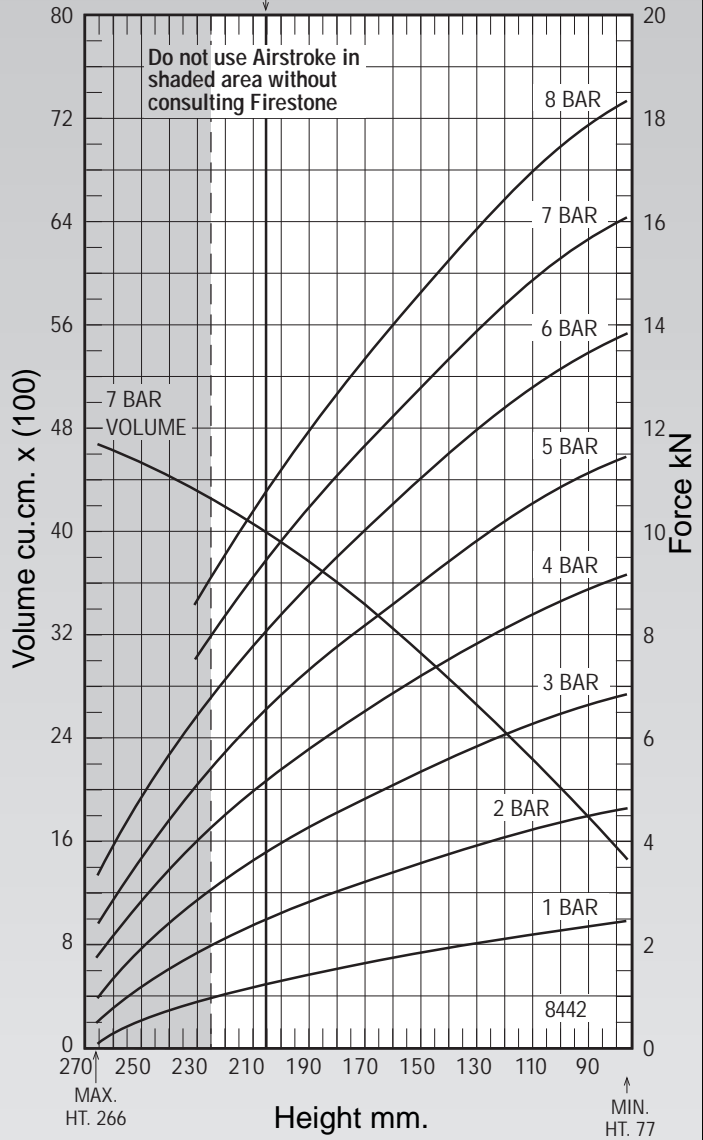
	Description	Assembly Order No.
Style 26	Blind nuts, 1/4 BSP	W01-M58-6353
	Blind nuts, 3/4 BSP	W01-M58-6387
Two Ply Bellows	Button head steel bead rings, 40 mm bolts, nuts, washers	W01-M58-6988
	Rubber bellows only	W01-358-0142
Assembly weight.....		2.40 kg.
Force to collapse to minimum height (@ 0 BAR)		102 N.



**NOTE: A bead plate part is shown. This part is also available with bead rings. See pages 8-10 for explanation.**

RECOMMENDED  
AIRMOUNT  
DESIGN HEIGHT  
205 mm.

**Static Data**  
8442



See page 12 for instructions on how to use chart.

**Dynamic Characteristics at 205 mm Design Height**  
(Required for Airmount isolator design only)

Gauge Pressure (BAR)	Load (kN)	Spring Rate (kN/m)	Natural Frequency Hz
3	3.74	59	1.99
4	5.15	76	1.92
5	6.52	93	1.88
6	8.03	109	1.83
7	9.41	124	1.81

**Force Table (Use for Airstroke<sup>®</sup> actuator design)**

Assembly Height (mm)	Volume @ 7 BAR (cu cm)	EFF Area @ 7 BAR (cm sq)	kN Force				
			@ 3 BAR	@ 4 BAR	@ 5 BAR	@ 6 BAR	@ 7 BAR
220	4202	118	3.19	4.44	5.66	7.06	8.29
200	3918	139	3.90	5.35	6.76	8.32	9.73
180	3594	157	4.51	6.12	7.70	9.43	11.00
160	3233	174	5.08	6.82	8.57	10.46	12.20
140	2840	191	5.60	7.48	9.40	11.46	13.35
120	2434	206	6.05	8.09	10.16	12.36	14.38
100	2007	218	6.42	8.63	10.81	13.11	15.25
80	1564	228	6.76	9.08	11.34	13.72	15.94