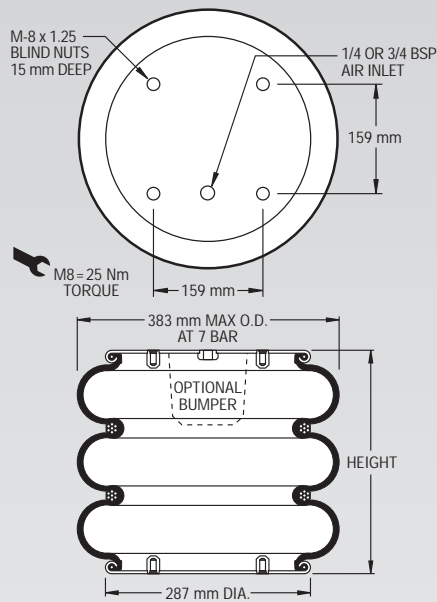


**NOTE: All Assembly Order Numbers are for bead plate parts unless noted otherwise.**

	Description	Assembly Order No.
Style 313	Blind nuts, 1/4 BSP	W01-M58-6120
	Blind nuts, 1/4 BSP, bumper	W01-M58-6121
Two Ply Bellows	Blind nuts, 3/4 BSP	W01-M58-6122
	Blind nuts, 3/4 BSP, bumper	W01-M58-6123
	Button head steel bead rings, 40 mm bolts, nuts, washers	W01-M58-7526
	Rubber bellows only	W01-358-7900
Assembly weight.....		8.84 kg.
Force to collapse to minimum height (@ 0 BAR)		205 N.

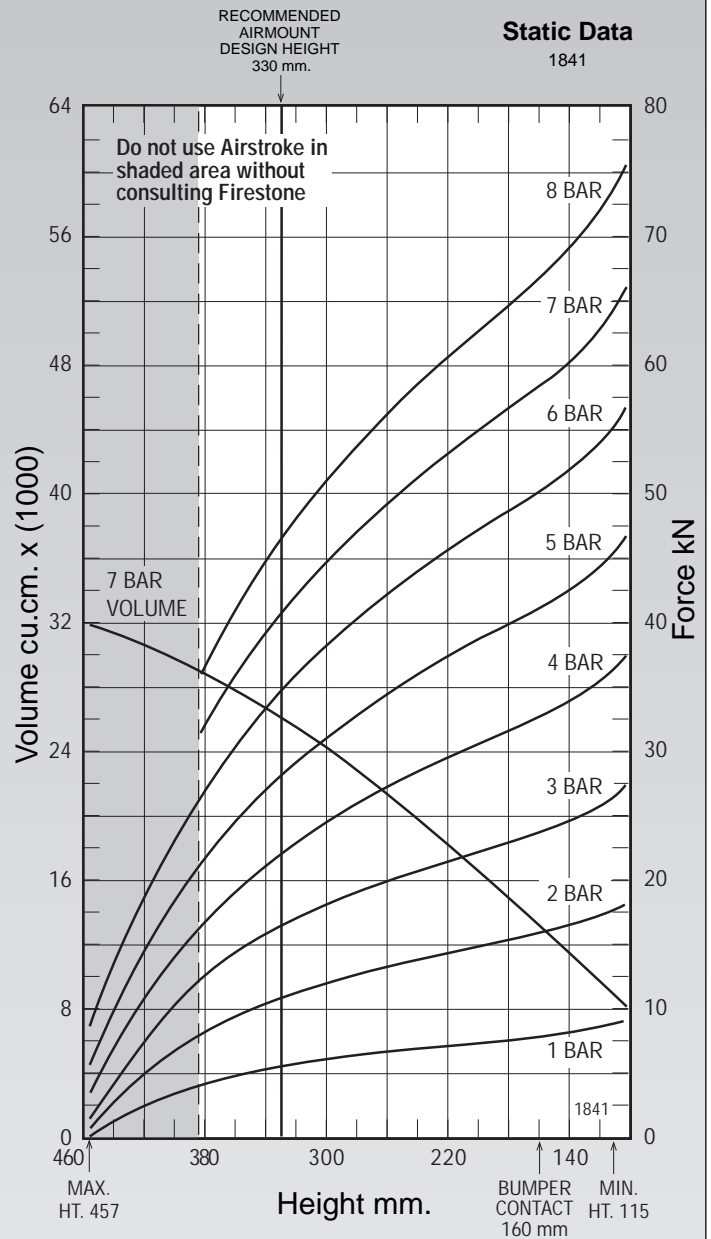
Style	Description	Assembly Order No.
39	Blind nuts, 1/4 BSP	W01-M58-6132
High Strength Bellows	Blind nuts, 3/4 BSP	W01-M58-6130
	Button head steel bead rings, 40 mm bolts, nuts, washers	W01-M58-7534



**NOTE: This part is also available with bead rings (rather than bead plates.) SEE PAGE 8.**

Dynamic Characteristics at 330 mm Design Height (Required for Airmount isolator design only)			
Gauge Pressure (BAR)	Load (kN)	Spring Rate (kN/m)	Natural Frequency Hz
3	16.03	137	1.46
4	21.87	177	1.42
5	27.79	216	1.39
6	34.37	258	1.37
7	40.27	296	1.35

**Static Data**  
1841



See page 12 for instructions on how to use chart.

Force Table (Use for Airstroke® actuator design)							
Assembly Height (mm)	Volume @ 7 BAR (cu cm)	EFF Area @ 7 BAR (cm sq)	kN Force				
			@ 3 BAR	@ 4 BAR	@ 5 BAR	@ 6 BAR	@ 7 BAR
360	27730	507	13.81	18.98	24.25	30.20	35.45
320	25348	595	16.66	22.70	28.81	35.57	41.64
280	22676	666	18.89	25.65	32.47	39.90	46.59
240	19773	726	20.71	28.15	35.61	43.60	50.79
200	16583	778	22.22	30.33	38.33	46.80	54.44
160	13143	827	23.59	32.39	40.82	49.74	57.85
120	9602	890	25.58	35.07	44.05	53.55	62.29