

Programmable electronic counter SLN-44



- Universal pulse counter
- Blue LCD display (STN), white backlight, dual 6-digit display,
- Input: Dry contact or open collector, or voltage
- Version 100...240 V AC, 2 relay outputs, Power to sensor: 12 V DC
- Version 12...24 V DC, 1 Relay output
- Panel mounting: DIN 48x48 mm

APPLICATIONS

- Unidirectional or bidirectional counting
- Filling (batching), converting (scaling), cutting to a given length, etc...
- Activation of output relays, at preset values

DESCRIPTION

SLN-44 is an electronic preset counter, DIN 48x48 mm, with blue LCD display (STN) and white backlight. The main display (10.0 x 5.0 mm) shows count value and the sub-display shows preset values. The preset threshold and output settings can be displayed by simply pressing a key on the front panel.

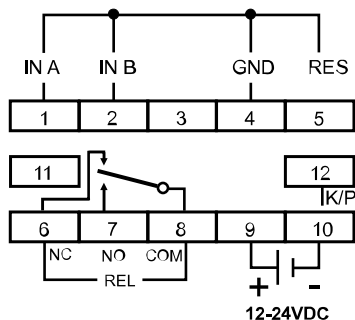
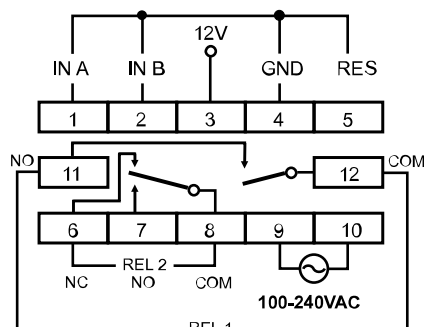
With 1 or 2 predefined thresholds, this counter is perfect for general counting or batch totalization. SLN-44 is available in 2 versions, power supply: Or 100...240 V AC, or 12...24 V DC. The 100...240 V AC may power a sensor in 12 V DC. SLN-44 works according different modes: Bidirectional (quadrature), addition (Add), subtraction (Subtract) or mixed (Add/Subtract). Upon reaching the preset value(s), the output relays are activated.

The operating and output modes are fully programmable via the menu using the keys located on the front panel. Operating modes parameters are the counting speed (up to 10 kHz), the input signal (dry contact or open collector, or voltage), the scale range, the position of the decimal point, the mode of protection and value input (free). The counter has a backup EEPROM. The front is IP54; Electrical connections are secured on screw terminal blocks.

The SLN-44 is a versatile, preset meter that satisfies complex applications such as filling (batching), converting (scaling), cut to length, etc.

CODE NUMBERS AND REFERENCES

Code	Reference	Description
289 305	SLN-44 / 100-240 V AC	Counter; Outputs: 2 relays, power to 1 sensor
289 306	SLN-44 / 12-24 V DC	Counter, 1 relay output



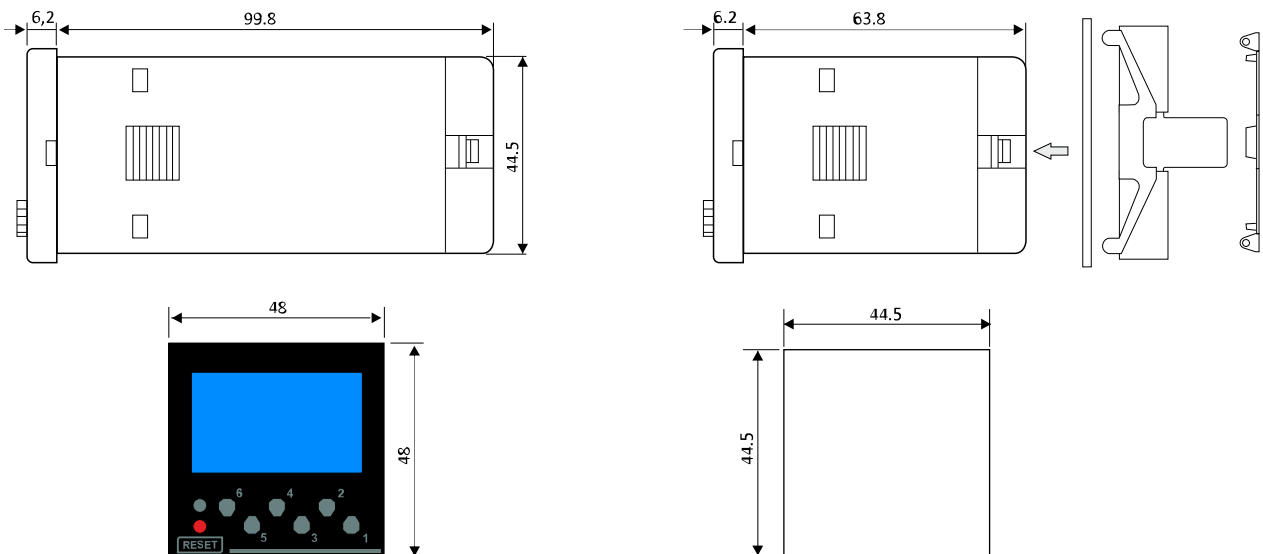
TECHNICAL FEATURES

Power supply	Version 100...240 V AC -15% / +10% Version 12...24 V DC -15% / +10%
Consumption	2.5 W (24 V DC) 7 VA (240 V AC)
Input	Dry contact or open collector (NPN), Sink current ~11 mA input impedance 7K Ω , available to duplex wire DC sensor
Input levels	Low level: 0 V \div 4 V High level: 6 V \div 30 V
Outputs	Version 100...240 V AC: 2 relays, 250 V AC, 5 A Version 12...24 V DC: 1 relay 30 V DC, max. 5 A
Supply to sensor	12 V DC; Max. 100 mA (for 100...240 V AC version only)
Response time	17 ms for 30 Hz; 12 ms for 1.5 and 10 kHz
Presets	Level 1 or 2
Operating mode level Nr1 and Nr 2	Nr 1: Standard, Equal, Lower Limit, Upper Limit Nr 2: Standard, Equal, Upper-Lower Limit, Upper-Upper Limit
Delays in output signals	Standard : 1 time (10...9990 ms) or Standby, Standby 1, Standby 2 Equal, High Threshold, Low Threshold: Locked only when requirements are completed
Counting Mode	Ranges: 30 Hz, 1 kHz, 5 kHz, 10 kHz Addition / subtraction; (add/subtract single input, bidirectional input, quadrature)
Reset	From the front, or through remote action, or automatic Remote reset: Delay of 2 ms or 20 ms
Scale range	0.001 - 99.999 (0 non acceptable)
Screen	Blue STN LCD display; white backlight, 10 x 5 mm digit
Display range	-99999 \div 999999 ; Decimal point: or 0.0 or 0.00 or 0.000 or none
Built-in memory	EEPROM (10 years; usable 10,000 times), permanent
Protection	Face avant IP 54
Housing	Panel mounting DIN 48x48x70 mm for dc version; DIN 48x48x106 mm for ac version)
Mass	~120 g (dc version) ; ~160 g (ac version)
Temperature limits	-10 ... +50 °C (frost free) Relative humidity: 45 ... 85 % (non-condensing)

Note: This instrument is class A.

In the case of electromagnetic interferences (radio) it will be necessary to use adequate preventive protection.

DIMENSIONS



8 Av. du Gué Langlois · 77600 Bussy-Saint-Martin
Tel +33 (0)1 60 37 45 00 Web www.citec.fr
E-mail citec@citec.fr

Programmable electronic
counter
SLN-44

REG

289-05/2

04-03-2024

D-289.05-EN-AA