

# Pressure gauges all stainless steel 7120B - 7220B Series



(400 932B)

- All stainless steel
- Dry or glycerin filled
- Ø 40, Ø 50 mm
- Pressure range -1 to 25 bar
- Accuracy 2,5
- Not adjustable
- AISI 316L connection G 1/8", G 1/4"
- Bottom or back connection

## APPLICATIONS

For aggressive environments and corrosive or special fluids in the chemical, petrochemical, pharmaceutical and food industries.

## DESCRIPTION

Pressure gauges, 7120B-7220B series, crimped onto the case, dry or glycerin filled, are especially robust and suitable for different industrial environments.

## TECHNICAL DETAILS

Pressure range	-1 to 25 bar
Accuracy class	2,5
Design	According to EN 837-1
Pressure element	AISI 316L, C tube
Movement	AISI 304
Case	AISI 304, watertight
Pointer	Black aluminium
Bezel	AISI 304, crimped onto the case
Window	Acrylic
Connection	AISI 316L G 1/8" or G 1/4" according to Ø
Dial	White aluminium, black lettering
Graduation	Bar
Protection	IP 66
Filling liquid	Glycerin
Operating temperature	Ambient : -20...+80 °C (dry) / -20...+60 °C (filled) Process : -40...+150 °C (dry) / -20...+60 °C (filled)

**EC Conformity : The instrument meets the legal requirements of the current European Directives**



(400 900B)



Pression - Température

8 Av. du Gué Langlois · 77600 Bussy-Saint-Martin  
Tel +33 (0)1 60 37 45 00 Web [www.citec.fr](http://www.citec.fr)  
E-mail [citec@citec.fr](mailto:citec@citec.fr)

Pressure gauges all stainless steel  
7120B - 7220B Series

09-06-2023

D-806.26-EN-AC

PR

806-26/1

## REFERENCES



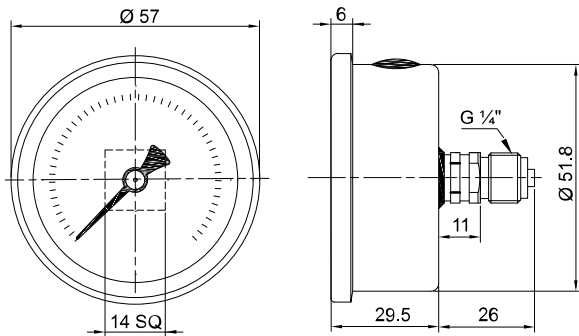
Bottom connection  
7121B Model (dry) - 7221B (filled)



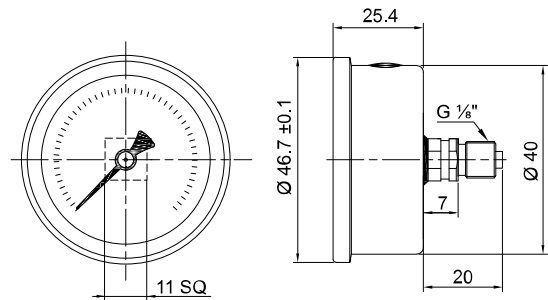
Center back connection  
7124B Model (dry) - 7224B (filled)

Measuring range	Bottom connection 7121B Model (dry) - 7221B (filled)				Center back connection 7124B Model (dry) - 7224B (filled)			
	Ø 40 G 1/8"		Ø 50 G 1/4"		Ø 40 G 1/8"		Ø 50 G 1/4"	
	Dry	Filled	Dry	Filled	Dry	Filled	Dry	Filled
-1 0 bar	400 940B	400 940BE	400 900B	400 900BE	400 960B	400 960BE	400 920B	400 920BE
0 1 bar	400 942B	400 942BE	400 902B	400 902BE	400 962B	400 962BE	400 922B	400 922BE
0 1,6 bar	400 944B	400 944BE	900 904B	400 904BE	400 964B	400 964BE	400 924B	400 924BE
0 2,5 bar	400 946B	400 946BE	400 906B	400 906BE	400 966B	400 966BE	400 926B	400 926BE
0 4 bar	400 948B	400 948BE	400 908B	400 908BE	400 968B	400 968BE	400 928B	400 928BE
0 6 bar	400 950B	400 950BE	400 910B	400 910BE	400 970B	400 970BE	400 930B	400 930BE
0 10 bar	400 952B	400 952BE	400 912B	400 912BE	400 972B	400 972BE	400 932B	400 932BE
0 16 bar	400 954B	400 954BE	400 914B	400 914BE	400 974B	400 974BE	400 934B	400 934BE
0 25 bar	400 956B	400 956BE	400 916B	400 916BE	400 976B	400 976BE	400 936B	400 936BE

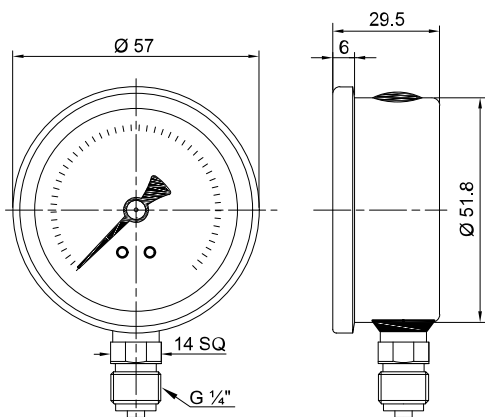
## DIMENSIONS [mm]



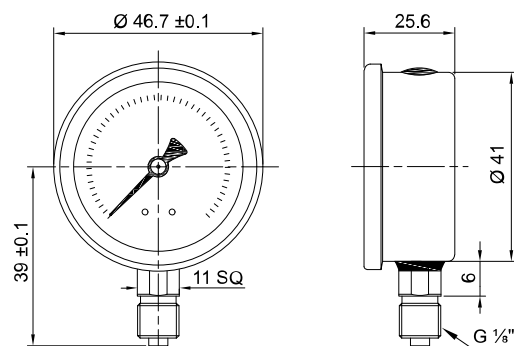
Center back connection - DN 50



Center back connection - DN 40



Bottom connection - DN 50



Bottom connection - DN 40



Pression - Température

8 Av. du Gué Langlois · 77600 Bussy-Saint-Martin  
Tel +33 (0)1 60 37 45 00 Web [www.citec.fr](http://www.citec.fr)  
E-mail [citec@citec.fr](mailto:citec@citec.fr)

Pressure gauges all stainless steel  
**7120B - 7220B Series**

09-06-2023

D-806.26-EN-AC

PR

806-26/2