

Sanitary pressure gauge 1120 Series



74-06

Authorisation NO. 1599

- Sanitary applications
- Ø 63 or 100 mm
- Diaphragm seal Clamp ISO 2852
- Design ASME B40.1
- 3A homologation
- Pressure range -1 to 40 bar

APPLICATIONS

These devices are used for pressure measurement in sanitary, food and pharmaceutical facilities (fermenters, bio-reactors, tanks). They are built according to the 3A standard and ensure perfect safety. The absence of interstices and the mirror finishing of the components assure the best hygiene level.

DESCRIPTION

These pressure gauges are designed with an integrated Clamp ISO 2852 connection. The diaphragm is welded flush to the process connection. The pressure gauge-separator assembly is in one piece and cannot be dismantled. Pressure transmission is carried out by an oil certified for pharmaceutical and food applications.

TECHNICAL DETAILS

Measuring range	-1 to 40 bar
Working pressure	75 % of FS
Accuracy	Ø 63 : Grade B as per ASME B40.1 (3-2-3%) Ø 100 : Grade A as per ASME B40.1 (2-1-2%)
Pressure element	AISI 316 L
Movement	AISI 304
Case	Electro polished AISI 304
Pointer	Aluminium black anodized
Dial	White aluminium, black lettering
Bezel	Polished AISI 304, crimped
Window	Ø 63 : plastic Ø 100 : tempered glass
Connection	Clamp ISO 2852, 1 1/2", 2", AISI 316 L
Diaphragm	AISI 316 L - Roughness Ra ≤0,8µm
Protection	IP 67
Operating temperature	Ambient : -25...+65 °C
Working temperature	Process : -20...+100/130 °C
Cleaning and sterilization	Maxi : 30 min

EC Conformity : The instrument meets the legal requirements of the current European Directives



8 Av. du Gué Langlois · 77600 Bussy-Saint-Martin
Tel +33 (0)1 60 37 45 00 Web www.citec.fr
E-mail citec@citec.fr

Sanitary pressure gauge
1120 Series

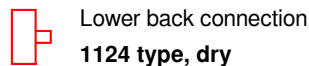
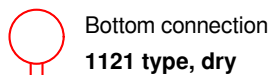
26-12-2023

D-806.44-EN-AC

PR

806-44/1

REFERENCES



Sanitary pressure gauge, dry – 1120 series :

Measuring range	Ø 63 – 1121 type		Ø 100 – 1121 type		Ø 100 – 1124 type	
	Clamp 1 ½" DN 38	Clamp 2" DN 51	Clamp 1 ½" DN 38	Clamp 2" DN 51	Clamp 1 ½" DN 38	Clamp 2" DN 51
-1 0 bar				410 340 CL51		410 510 CL51
-1 0,6 bar				410 344 CL51		410 514 CL51
-1 1,5 bar	410 002 CL38	410 002 CL51	410 345 CL38	410 345 CL51	410 515 CL38	410 515 CL51
-1 3 bar	410 004 CL38	410 004 CL51	410 346 CL38	410 346 CL51	410 516 CL38	410 516 CL51
-1 5 bar	410 006 CL38	410 006 CL51	410 347 CL38	410 347 CL51	410 517 CL38	410 517 CL51
-1 9 bar	410 010 CL38	410 010 CL51	410 348 CL38	410 348 CL51	410 518 CL38	410 518 CL51
-1 15 bar	410 015 CL38	410 015 CL51	410 349 CL38	410 349 CL51	410 519 CL38	410 519 CL51
0 1 bar				410 360 CL51		410 530 CL51
0 1,6 bar				410 370 CL51		410 540 CL51
0 2,5 bar	410 040 CL38	410 040 CL51	410 380 CL38	410 380 CL51	410 550 CL38	410 550 CL51
0 4 bar	410 050 CL38	410 050 CL51	410 390 CL38	410 390 CL51	410 560 CL38	410 560 CL51
0 6 bar	410 060 CL38	410 060 CL51	410 400 CL38	410 400 CL51	410 570 CL38	410 570 CL51
0 10 bar	410 070 CL38	410 070 CL51	410 410 CL38	410 410 CL51	410 580 CL38	410 580 CL51
0 16 bar	410 080 CL38	410 080 CL51	410 420 CL38	410 420 CL51	410 590 CL38	410 590 CL51
0 25 bar	410 090 CL38	410 090 CL51	410 430 CL38	410 430 CL51	410 600 CL38	410 600 CL51
0 40 bar	410 100 CL38	410 100 CL51	410 440 CL38	410 440 CL51	410 610 CL38	410 610 CL51

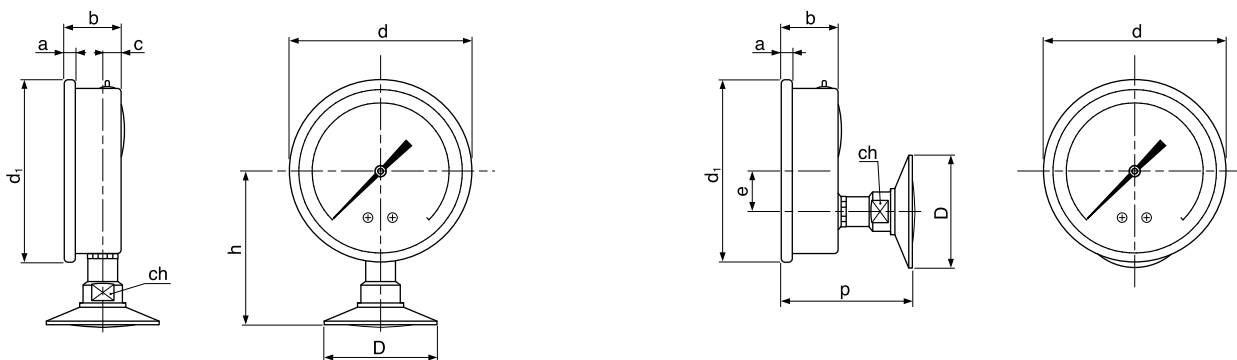
CERTIFICATS :

3.1 inspection certificate per EN 10204 : Ref 449 050
Roughness certificate : Ref 449 052

OPTIONS :

- Roughness Ra <0,51 µm, Add R5 at the end of the reference -- Roughness Ra <0,38 µm, Add R3 at the end of the reference
- Glycerin filled, Add L at the end of the reference (ambient temperature : 0...+65 °C)
- Polycarbonate glass, Add C at the end of the reference
- Accuracy 1,6, on demand
- Autoclave version (150 °C / 1 hour), Add V at the end of the reference

DIMENSIONS [mm]



	D		a	b	c	d	d ₁	e	h	p	ch	Dry [kg]	Filled [kg]
	1 ½"	2"											
Ø 63	50,5	64	5,5	28	10	68	62,5	--	79	--	22	0,280	0,400
Ø 100	50,5	64	7,5	34	11	110	101	18,5	89	76	22	0,420	0,700



8 Av. du Gué Langlois · 77600 Bussy-Saint-Martin
Tel +33 (0)1 60 37 45 00 Web www.citec.fr
E-mail citec@citec.fr

Sanitary pressure gauge
1120 Series

26-12-2023

D-806.44-EN-AC

PR

806-44/2