

Low pressure gauges, stainless steel case 2010 Series



(410 350)



(411 350)

- Case AISI 304
- Dry
- Ø 63, Ø 100, Ø 160mm
- Copper alloy
- Pressure range -1000 to 1000 mbar
- Adjustable pointer
- Accuracy class 1,6
- Brass socket 1/4" or 1/2"
- Bottom or back mounting
- With or without flange

APPLICATIONS

Low pressure measurement on neutral gases.

DESCRIPTION

Pressure gauge 2010 Series, have a stainless steel case and a brass fitting. The measuring element is a capsule made up of two thin corrugated cups, fixed to each other by welding. This deformable cavity follows pressure variations.

TECHNICAL DETAILS

Pressure range	-1000 to 1000 mbar
Accuracy class	1,6
Design	According to EN 837-3
Overload limit	10xFS
Pressure element	Copper alloy
Movement	Brass
Case	AISI 304
Bezel	AISI 304, bayonet ring
Flange	AISI 304
Window	Glass
Socket	Brass
Connection	G 1/4" or G 1/2" according to Ø
Readjustment	Dial screw
Dial	White aluminium, black lettering
Graduation	mbar
Protection	IP 43
Operating temperature	Ambient : -20...+60 °C Process : -30...+70 °C

EC Conformity : The instrument meets the legal requirements of the current European Directives



8 Av. du Gué Langlois · 77600 Bussy-Saint-Martin
Tel +33 (0)1 60 37 45 00 Web www.citec.fr
E-mail citec@citec.fr

Low pressure gauges,
stainless steel case
2010 Series

28-09-2023

D-806.49-EN-AD

PR

806-49/1

REFERENCES



Bottom connection
2011 Model



Center back connection
2014 Model

Measuring range	2011 Model			2014 Model		
	Ø 63, G ¼"	Ø 100, G ½"	Ø 160, G ½"	Ø 63, G ¼"	Ø 100, G ½"	Ø 160, G ½"
-1000 0mbar	410 235	410 415	410 615	411 235	411 415	411 615
-600 0mbar	410 240	410 420	410 620	411 240	411 420	411 620
-400 0mbar	410 250	410 430	410 630	411 250	411 430	411 630
-250 0mbar	410 260	410 440	410 640	411 260	411 440	411 640
-160 0mbar	410 270	410 450	410 650	411 270	411 450	411 650
-100 0mbar	410 280	410 460	410 660	411 280	411 460	411 660
-60 0mbar	410 290	410 470	410 670	411 290	411 470	411 670
-40 0mbar	410 300	410 480	410 680	411 300	411 480	411 680
-25 0mbar	410 310	410 490	410 690	411 310	411 490	411 690
0 25 mbar	410 320	410 500	410 700	411 320	411 500	411 700
0 40 mbar	410 330	410 510	410 710	411 330	411 510	411 710
0 60 mbar	410 340	410 520	410 720	411 340	411 520	411 720
0 100 mbar	410 350	410 530	410 730	411 350	411 530	411 730
0 160 mbar	410 360	410 540	410 740	411 360	411 540	411 740
0 250 mbar	410 370	410 550	410 750	411 370	411 550	411 750
0 400 mbar	410 380	410 560	410 760	411 380	411 560	411 760
0 600 mbar	410 390	410 570	410 770	411 390	411 570	411 770
0 1000 mbar	410 395	410 575	410 775	411 395	411 575	411 775

U-clamp reference for back connection (only Ø 63 mm) :

- Ref. → 401 762

Mounting back or front flange :



Back flange – Bottom connection
2012 Model



Front flange – Center back connection
2016 Model

• Back flange and bottom connection

- 1- Select 2011 Model reference
- 2- Replace the reference 410 xxx by 416 xxx

Example :

The model 2011, Ø 63 ¼", 0-100 mbar : ref. 410 350 becomes in 2012 (back flange) : ref. 416 350

• Front flange with back connection :

- 1- Select 2014 Model reference
- 2- Replace the reference 411 xxx by 417 xxx

Example :

The model 2014, Ø 63 ¼", 0-100 mbar : ref. 411 350 becomes in 2016 (front flange) : ref. 417 350

OPTIONS

- Others measuring ranges (on demand)
- NPT thread : Add N at the end of the reference
- Others threads (on demand)



Pression - Température

8 Av. du Gué Langlois · 77600 Bussy-Saint-Martin
Tel +33 (0)1 60 37 45 00 Web www.citec.fr
E-mail citec@citec.fr

Low pressure gauges,
stainless steel case
2010 Series

28-09-2023

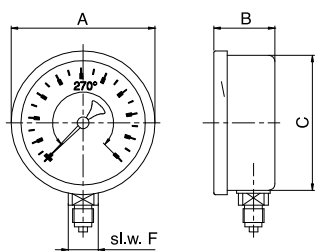
D-806.49-EN-AD

PR

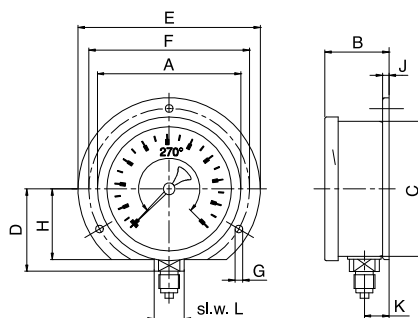
806-49/2

DIMENSIONS [mm]

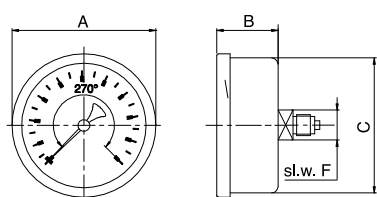
2011 Model – Bottom connection



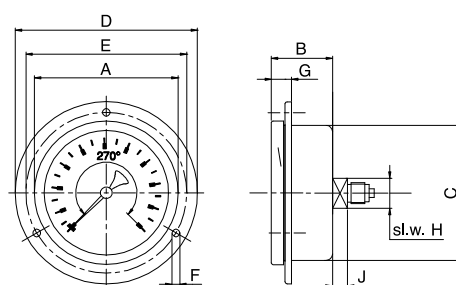
2012 Model – Back flange – Bottom connection



2014 Model – Center back connection



2016 Model – Front flange – Center back connection



	2011 Model							2012 Model											
	A	B	C	D	E	F	[kg]	A	B	C	D	E	F	G	H	J	K	L	[kg]
Ø 63	68	35,0	63	38,5	14	10	0,210	68	35	63	38,5	85	75	3,6	33	3	11,5	14	0,230
Ø 100	105	45,5	99	63,0	22	17	0,570	105	45	99	63,0	132	116	5,0	52	4	19,5	22	0,640
Ø 160	163	45,0	160	105	22	17	1,300	---											

	2014 Model						2016 Model									
	A	B	C	D	E	[kg]	A	B	C	D	E	F	G	H	J	[kg]
Ø 63	68	30	63	14	7	0,210	68	30	63	85	75	3,6	11,0	14	7	0,220
Ø 100	105	30	99	22	14	0,440	105	30	99	132	116	4,8	13,5	22	17	1,400
Ø 160	163	45	160	22	19	1,350	---									



8 Av. du Gué Langlois · 77600 Bussy-Saint-Martin
 Tel +33 (0)1 60 37 45 00 Web www.citec.fr
 E-mail citec@citec.fr

Low pressure gauges,
 stainless steel case
2010 Series

28-09-2023

D-806.49-EN-AD

PR

806-49/3