

Low pressure gauges, all stainless steel

2020 Series



(411 128)

- All stainless steel
- Dry
- Ø 63, Ø 100, Ø 160mm
- AISI 316L capsule
- Pressure range -1000 to 1000 mbar
- Adjustable
- Accuracy class 1,6
- AISI 316L socket 1/4" or 1/2"
- Bottom or back mounting
- With or without flange

APPLICATIONS

Measurement of low pressures or depressions for aggressive gases

DESCRIPTION

The pressure gauges of the 2020 Series have a stainless steel case and fitting. The measuring element is a capsule made up of two thin corrugated cups, fixed to each other by welding. This deformable cavity follows pressure variations.

TECHNICAL DETAILS

Measuring range	-1000 to 1000 mbar
Accuracy class	1,6
Design	According to EN 837-3
Overload limit	10xFS
Pressure element	AISI 316L copper capsule
Movement	AISI 304
Case	AISI 304
Bezel	AISI 304, bayonet ring
Flange	AISI 304
Window	Glass
Socket	AISI 316L
Connection	G 1/4" or G 1/2" according to Ø
Readjustment	Dial screw
Dial	White aluminium, black lettering
Graduation	mbar
Protection	IP 55
Operating temperature	Ambient : -20...+65 °C Process : -30...+100 °C

EC Conformity : The instrument meets the legal requirements of the current European Directives



8 Av. du Gué Langlois · 77600 Bussy-Saint-Martin
Tel +33 (0)1 60 37 45 00 Web www.citec.fr
E-mail citec@citec.fr

Low pressure gauges, all
stainless steel
2020 Series

13-06-2023

D-806.52-EN-AC

PR

806-52/1

REFERENCES



Bottom connection
2021 Model



Center back connection
2024 Model

Measuring range	2021 Model			2024 Model		
	Ø 63, G ¼"	Ø 100, G ½"	Ø 160, G ½"	Ø 63, G ¼"	Ø 100, G ½"	Ø 160, G ½"
-1000 0mbar	410 995	411 095	411 195	411 035	411 135	411 174
-600 0mbar	411 000	411 100	411 200	411 040	411 140	411 176
-400 0mbar	411 002	411 102	411 202	411 042	411 142	411 178
-250 0mbar	411 004	411 104	411 204	411 044	411 144	411 180
-160 0mbar	411 006	411 106	411 206	411 046	411 146	411 182
-100 0mbar	411 008	411 108	411 208	411 048	411 148	411 184
-60 0mbar	411 010	411 110	411 210	411 050	411 150	411 186
-40 0mbar	411 012	411 112	411 212	411 052	411 152	411 188
-25 0mbar	411 014	411 114	411 214	411 054	411 154	411 190
0 25 mbar	411 016	411 116	411 216	411 056	411 156	411 192
0 40 mbar	411 018	411 118	411 218	411 058	411 158	411 194
0 60 mbar	411 020	411 120	411 220	411 060	411 160	411 196
0 100 mbar	411 022	411 122	411 222	411 062	411 162	411 198
0 160 mbar	411 024	411 124	411 224	411 064	411 164	411 201
0 250 mbar	411 026	411 126	411 226	411 066	411 166	411 203
0 400 mbar	411 028	411 128	411 228	411 068	411 168	411 205
0 600 mbar	411 030	411 130	411 230	411 070	411 170	411 207
0 1000 mbar	411 032	411 132	411 232	411 072	411 172	411 209

Mounting back or front flange :



Back flange – Bottom connection
2022 Model



Front flange – Center back connection
2026 Model

- Back flange with bottom connection :
1- Select 2021 Model reference
2- **Replace the reference 411 xxx by 416 xxx**

Example :

The model 2021, Ø 63 in ¼", 0-100 mbar : ref. 411 022 becomes in 2022 (back flange) : ref. 416 022

- Front flange with back connection :
1- Select 2024 Model reference
2- **Replace the reference 411 xxx by 417 xxx**

Example :

The model 2024, Ø 63 in ¼", 0-100 mbar : ref. 411 062 becomes in 2026 (front flange) : ref. 417 062

OPTIONS

- Others measuring ranges (on demand)
- mm H₂O scale (on demand)
- NPT thread : Add N at the end of the reference
- Others threads (on demand)
- With glycerin filled (on demand, only available from 100 mbar)



Pression - Température

8 Av. du Gué Langlois · 77600 Bussy-Saint-Martin
Tel +33 (0)1 60 37 45 00 Web www.citec.fr
E-mail citec@citec.fr

Low pressure gauges, all
stainless steel
2020 Series

13-06-2023

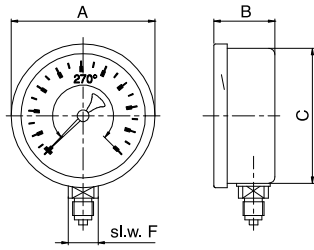
D-806.52-EN-AC

PR

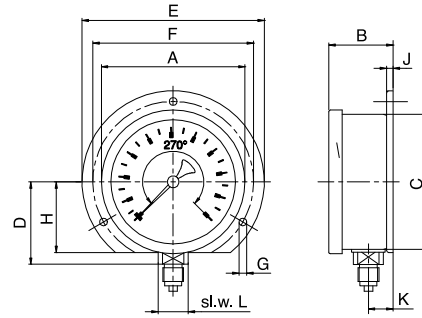
806-52/2

DIMENSIONS [mm]

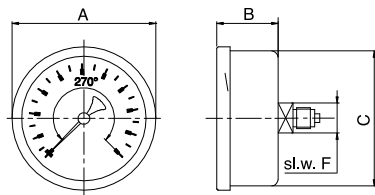
2021 Model – Bottom connection



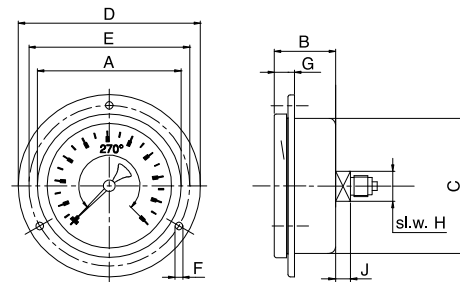
2022 Model – Back flange – Bottom connection



2024 Model – Center back connection



2026 Model – Front flange – Center back connection



	2021 Model							2022 Model											
	A	B	C	D	E	F	[kg]	A	B	C	D	E	F	G	H	J	K	L	[kg]
Ø 63	68	35,0	63	38,5	14	10	0,210	68	35	63	38,5	85	75	3,6	33	3	11,5	14	0,230
Ø 100	105	45,5	99	83,0	22	17	0,570	105	45	99	63,0	132	116	5,0	52	4	19,5	22	0,640
Ø 160	163	45,0	160	105	22	17	1,300	---											

	2024 Model						2026 Model									
	A	B	C	D	E	[kg]	A	B	C	D	E	F	G	H	J	[kg]
Ø 63	68	30	63	14	7	0,210	68	30	63	85	75	3,6	11,0	14	7	0,220
Ø 100	105	30	99	22	17	0,440	105	30	99	132	116	4,8	13,5	22	17	0,510
Ø 160	163	45	160	22	19	1,350	---									



8 Av. du Gué Langlois · 77600 Bussy-Saint-Martin
 Tel +33 (0)1 60 37 45 00 Web www.citec.fr
 E-mail citec@citec.fr

Low pressure gauges, all stainless steel
2020 Series

13-06-2023

D-806.52-EN-AC

PR

806-52/3