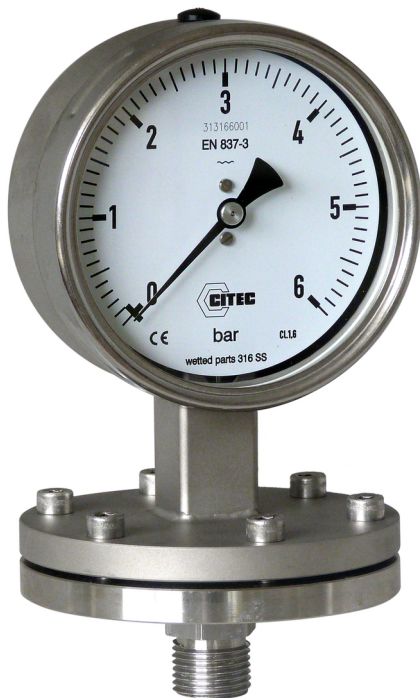


Diaphragm low pressure gauges, all stainless steel 1000 Series



(410 115)

- All stainless steel
- Dry
- Ø 100 mm
- Pressure range -1000 mbar to 25 bar
- Accuracy 1,6
- Bottom connection
- Connection G 1/2"

APPLICATIONS

Diaphragm pressure gauges are mainly used for measuring low positive or negative pressures of viscous, sedimentary, crystallizable or corrosive fluids. Due to their design, diaphragm pressure gauges are less sensitive to vibrations than tube pressure gauges and are easier to protect against overloads and aggressive fluids.

DESCRIPTION

These pressure gauges are made according to standard EN 837-3.

Diaphragm pressure gauges are recommended for low

Pressure range	-1000 mbar to 25 bar
Accuracy	1,6
Overload limit	25% of FS
Pressure element	Diaphragm AISI 316
Movement	AISI 304
Case	AISI 304
Pointer	Adjustable, black aluminium
Bezel	AISI 304, bayonet ring
Window	Glass
Connection	AISI 316
Thread	G 1/2"
Dial	White aluminium, black lettering
Protection	IP 55
Operating temperature	Ambiente : -25...+65 °C Process : 100 °C maxi

EC Conformity : The instrument meets the legal requirements of the current European Directives



8 Av. du Gué Langlois · 77600 Bussy-Saint-Martin
Tel +33 (0)1 60 37 45 00 Web www.citec.fr
E-mail citec@citec.fr

Diaphragm low pressure
gauges, all stainless steel
1000 Series

30-06-2023

D-806.55-EN-AC

PR

806-55/1

REFERENCES



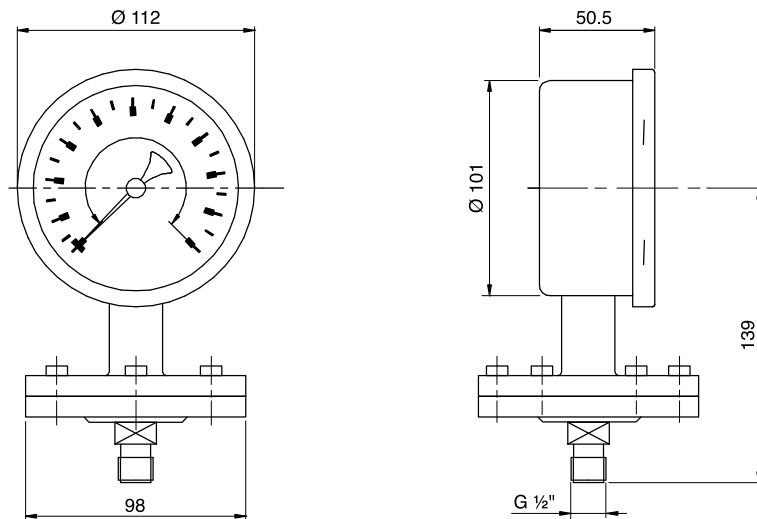
Bottom connection
1001 type

Measuring range	Ø 100, G ½" dry	Measuring range	Ø 100, G ½" dry
-1000 0 mbar	410 100	0 1,6 bar	410 095
-600 0 mbar	410 010	0 2,5 bar	410 110
-400 0 mbar	410 015	0 4 bar	410 112
-250 0 mbar	410 020	0 6 bar	410 115
-160 0 mbar	410 025	0 10 bar	410 120
-100 0 mbar	410 030	0 16 bar	410 125
-60 0 mbar	410 035	0 25 bar	410 130
-40 0 mbar	410 040		
-25 0 mbar	410 045		
0 25 mbar	410 050		
0 40 mbar	410 055		
0 60 mbar	410 060		
0 100 mbar	410 065		
0 160 mbar	410 070		
0 250 mbar	410 075		
0 400 mbar	410 080		
0 600 mbar	410 085		
0 1000 mbar	410 090		

OPTIONS

- Ø 150 mm
- NPT thread : Add N at the end of the reference

DIMENSIONS [mm]



Weight Ø 100	0...0,25 mbar to 0...60 mbar : 1,8 kg	0...100 mbar to 0...400 mbar : 2,6 kg	0...600 mbar to 0...25 bar : 2,1 kg
--------------	---------------------------------------	---------------------------------------	-------------------------------------



Pression - Température

8 Av. du Gué Langlois · 77600 Bussy-Saint-Martin
Tel +33 (0)1 60 37 45 00 Web www.citec.fr
E-mail citec@citec.fr

Diaphragm low pressure
gauges, all stainless steel
1000 Series

30-06-2023

D-806.55-EN-AC

PR

806-55/2