

High pressure gauge 8640 Series



- All Stainless Steel
- Ø 160 mm
- Pressure range 0 to 7000 bar
- Accuracy class 1
- Bottom connection
- Dry or glycerin filled
- With or without flange

APPLICATIONS

For applications in hydraulic systems and test benches for pressures up to 7000 bar.

DESCRIPTION

Very high pressure safety gauges, 8640 series, are equipped with a safety partition and an ejectable bottom according to standard EN 837-1, safety S3.

TECHNICAL DETAILS

Pressure range	0 to 7000 bar
Accuracy class	1
Design	S3 security according to EN 837-1, CE marking
Pressure element	AISI 316Ti helical tube
Movement	AISI 304
Case	AISI 304 with solid front and blow out back
Pointer	Black aluminium
Bezel	AISI 304, bayonet ring
Window	Safety glass
Connexion	AISI 316 Ti, M16 x1,5 female
Dial	White aluminium, black lettering
Protection	IP 65
Filling liquid	Glycerin
Weight	3,5 kg (dry), 4,2 kg (filled)
Operating temperature :	Ambient : -25...+60 °C / Process : -30...+80 °C

EC Conformity : The instrument meets the legal requirements of the current European Directives

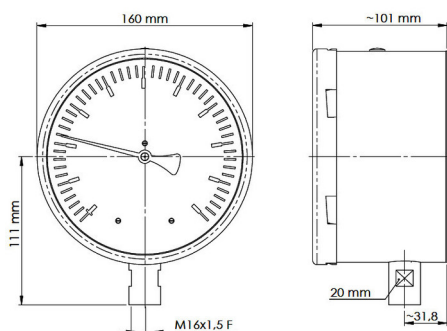
REFERENCES

Measuring range	8641 type		8642 type	
	Bottom connection		Bottom with front flange	
	Dry	Filled	Dry	Filled
0 1600 bar	478 844	479 844	498 844	499 844
0 2500 bar	478 845	479 845	498 845	499 845
0 3000 bar	478 846	479 846	498 846	499 846
0 4000 bar	478 842	479 842	498 842	499 842
0 5000 bar	478 847	479 847	498 847	499 847
0 6000 bar	478 848	479 848	498 848	499 848
0 7000 bar	478 849	479 849	498 849	499 849

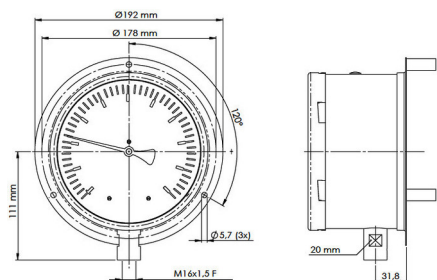
OPTIONS

- Accuracy class 0,6 : add H at the end of the reference
- Thread 9/16 UNFx18HP Female : add U at the end of the reference

Type 8641



Type 8642



Pression - Température

8 Av. du Gué Langlois · 77600 Bussy-Saint-Martin
Tel +33 (0)1 60 37 45 00 Web www.citec.fr
E-mail citec@citec.fr

High pressure gauge
8640 Series

13-06-2023

D-806.61-EN-AB

PR

806-61 /1