

# Large gauges, All stainless steel 6700 Series



Ref. 414 760

- All stainless steel
- Dry
- Ø 200, Ø 250 mm
- Pressure range -1 to 600 bar
- Accuracy 1
- For distant reading
- AISI 316L connection G 1/2"

## APPLICATIONS

General pneumatic or hydraulic applications.  
Suitable for the chemical, petrochemical, pharmaceutical and food industries.

## DESCRIPTION

Pressure gauges 6700 Series pressure gauges are robust. Large size, they allow long distance reading.

## TECHNICAL DETAILS

<b>Measuring range</b>	-1 to 600 bar
<b>Accuracy class</b>	1
<b>Design</b>	According to EN 837-1
<b>Pressure element</b>	≤ 40 bar : AISI 316L C tube ≥ 60 bar : AISI 316L helical tube
<b>Movement</b>	AISI 304
<b>Case</b>	AISI 304
<b>Pointer</b>	Black aluminium
<b>Bezel</b>	AISI 304, bayonet ring
<b>Window</b>	Glass
<b>Socket, connection</b>	AISI 316L, G 1/2"
<b>Dial</b>	White aluminium, black lettering
<b>Graduation</b>	Bar
<b>Protection</b>	IP 55
<b>Operating temperature</b>	Ambient : -40...+60 °C Process : -30...+150 °C
<b>Weight</b>	Ø 200mm : 2,1 kg / Ø 250mm : 2,5 kg

**EC Conformity : The instrument meets the legal requirements of the current European Directives**



8 Av. du Gué Langlois · 77600 Bussy-Saint-Martin  
Tel +33 (0)1 60 37 45 00 Web [www.citec.fr](http://www.citec.fr)  
E-mail [citec@citec.fr](mailto:citec@citec.fr)

Large gauges, All stainless steel  
6700 Series

15-06-2023

D-806.63-EN-AB

PR

806-63/1

## REFERENCES



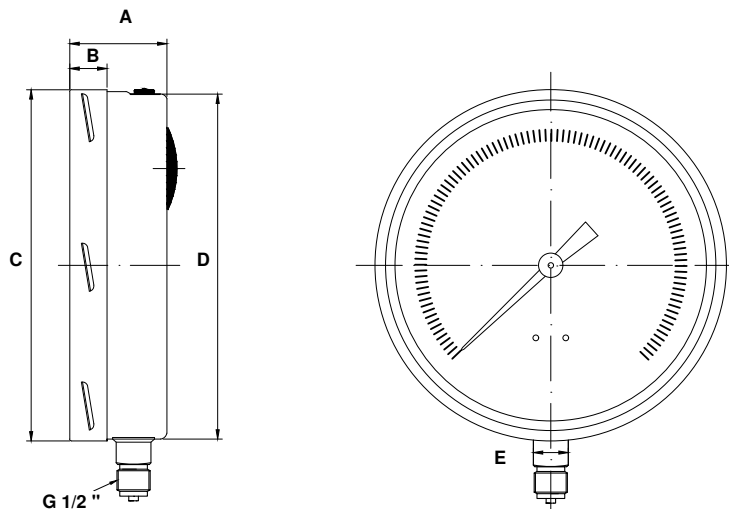
Bottom connection  
6701 Model

Measuring range	Ø 200 G 1/2"	Ø 250 G 1/2"
-1 0 bar	414 500	414 700
0 1 bar	414 510	414 710
0 1,6 bar	414 520	414 720
0 2,5 bar	414 530	414 730
0 4 bar	414 540	414 740
0 6 bar	414 550	414 750
0 10 bar	414 560	414 760
0 16 bar	414 570	414 770
0 25 bar	414 580	414 780
0 40 bar	414 590	414 790
0 60 bar	414 600	414 800
0 100 bar	414 610	414 810
0 160 bar	414 620	414 820
0 250 bar	414 630	414 830
0 400 bar	414 640	414 840
0 600 bar	414 650	414 850

## OPTIONS

- NPT thread : Add N at the end of the reference
- Double scale : on demand
- Color zone or red mark, value to indicate : on demand
- Others mounting types : Back connection, front flange, back flange. On demand

## DIMENSIONS [mm]



	A	B	C	D	E
Ø 200	50	17,5	218	201	22
Ø 250	55	17,5	262	247	22



Pression - Température

8 Av. du Gué Langlois · 77600 Bussy-Saint-Martin  
Tel +33 (0)1 60 37 45 00 Web [www.citec.fr](http://www.citec.fr)  
E-mail [citec@citec.fr](mailto:citec@citec.fr)

Large gauges, All stainless steel  
**6700 Series**

15-06-2023

D-806.63-EN-AB

PR

806-63/2