

Test pressure gauges, all stainless steel, Acc. 0,6 % 9620 Series



- All Stainless Steel
- Accuracy class 0,6
- Ø 100, Ø 150, Ø 250 mm
- Pressure range -1 to 1000 bar
- Option accuracy 0,25 or 0,1
- Bottom mounting
- Supplied with calibration certificate

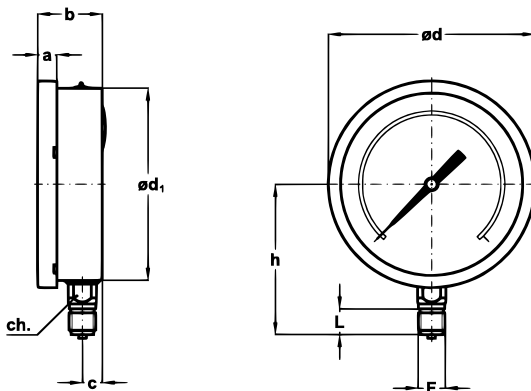
APPLICATIONS

These instruments have been designed for laboratories, instrument testing or recalibration facilities and in other applications where accuracy and repeatability are of primary importance.

DESCRIPTION

Pressure gauges 9620 Series, they allow the calibration and verification of pressure measurement equipment.

TECHNICAL DETAILS



Measuring range	-1 to 1000 bar
Accuracy class	0,6 0,25 for Ø 150 and Ø 250 in option 0,1 for Ø 250 in option
Certificate	Delivered with calibration certificate according to EN 837
Design	Design : EN 837-1 / Safety S1: EN 837-2
Pressure element	≤ 40 bar : AISI 316L C tube ≥ 60 bar : AISI 316L helical tube
Movement	AISI 304
Pressure element	Beryllium bronze for accuracy 0,25 and 0,1
Case	AISI 304
Pointer	Adjustable, black aluminium, knife-edge micrometer
Bezel	AISI 304, bayonet ring
Window	Glass
Socket	AISI 316L
Dial	Aluminium, white with black markings and anti-parallax mirror band For Ø 150 and Ø 250
Protection	IP 55 for acc. 0,6 and 0,25. IP 44 for acc. 0,1
Operating temperature	Ambient : -25...+60 °C Process : -40...+150 °C

EC Conformity : The instrument meets the legal requirements of the current European Directives

DIMENSIONS [mm]

	a	b	c	d	d1	h	L	ch	Weight [kg]
Ø 100	17	55	20	101	99	87	20	SW22	0,60
Ø 150	15	50,5	15,5	161	149,6	117	20	20	0,97
Ø 250	15	63	19,5	270	247	170	20	17	3,10



8 Av. du Gué Langlois · 77600 Bussy-Saint-Martin
Tel +33 (0)1 60 37 45 00 Web www.citec.fr
E-mail citec@citec.fr

Test pressure gauges, all
stainless steel, Acc. 0,6 %
9620 Series

15-06-2023

D-806.65-EN-AB

PR

806-65/1

REFERENCES



Bottom mounting
9621 Model

Measuring range	Ø 100, G 1/2" Dry	Graduation in bar Ø 100	Ø 150, G 1/2" Dry	Ø 250, G 1/2" Dry	Graduation in bar Ø 150 / Ø 250
-1 0 bar	--	--	404 100	404 700	0,005
0 1 bar	--	--	404 110	404 710	0,005
0 1,6 bar	403 770	0,01	404 120	404 720	0,005
0 2,5 bar	403 780	0,02	404 130	404 730	0,01
0 4 bar	403 790	0,02	404 140	404 740	0,02
0 6 bar	403 800	0,05	404 150	404 750	0,02
0 10 bar	403 810	0,05	404 160	404 760	0,05
0 16 bar	403 820	0,1	404 170	404 770	0,05
0 25 bar	403 830	0,2	404 180	404 780	0,1
0 40 bar	403 840	0,2	404 190	404 790	0,2
0 60 bar	403 850	0,5	404 200	404 800	0,2
0 100 bar	403 860	0,5	404 210	404 810	0,5
0 160 bar	403 870	1	404 220	404 820	0,5
0 250 bar	403 880	2	404 230	404 830	1
0 400 bar	403 890	2	404 240	404 840	2
0 600 bar	403 900	5	404 250	404 850	2
0 1000 bar	403 910	5	404 260	404 860	5

OPTIONS

- Accuracy class 0,25 (only Ø 150 and Ø 250) : Add H at the end of reference
- Accuracy class 0,1 (only Ø 250) : Add HH at the end of reference
- Other mounting type : on demand
- COFRAC certificate : on demand
- Pressure gauge holder case



Pression - Température

8 Av. du Gué Langlois · 77600 Bussy-Saint-Martin
Tel +33 (0)1 60 37 45 00 Web www.citec.fr
E-mail citec@citec.fr

Test pressure gauges, all
stainless steel, Acc. 0,6 %
9620 Series

15-06-2023

D-806.65-EN-AB

PR

806-65/2