

Low differential pressure gauge PCD Series



- Capsule measuring element
- Dry
- All stainless steel
- Ø 100, Ø 160 mm
- ΔP : 0...6 to 0...400 mbar
- Max static pressure : 1,5 bar

APPLICATIONS

Measurement of differential, low and medium pressure, environments and corrosive fluids

Filter clogging monitoring in ventilation systems, central heating, clean rooms

DESCRIPTION

In the PCD series, no filling and or contact mounting is possible
Pressure (+) is applied in the capsule, pressure (-) is applied in the housing (4). The pressure difference deforms the capsule (3) and this deformation is transmitted by a connecting rod (2) to the clock mechanism (1) of the indicator hand.

TECHNICAL DETAILS

Measuring range	ΔP : 0...6 mbar to 0...400 mbar
Max static pressure	See table below
Accuracy class	1,6
Pressure element	Capsule, AISI 316 Ti
Movement	Nickel plated brass
Case	AISI 304
Bezel	AISI 304, bayonet lock
Window	Polycarbonate
Operating temperature	-20...+50 °C
Process temperature	-20...+50 °C
Socket, connection	2 x G 1/2", AISI 316 L
Mounting	Bottom connection (at 30°), back flange, Ø flange drill, Ø100 : 116mm, Ø160 : 178mm
Protection	IP 66

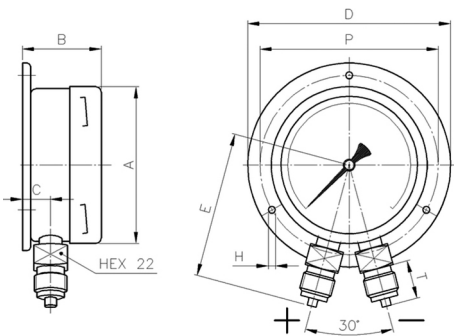
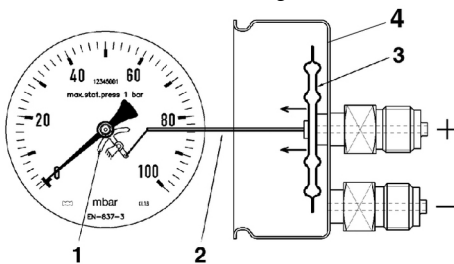
EC Conformity : The instrument meets the legal requirements of the current European Directives

REFERENCES

Bottom connection at 30°, back flange, 2x G1/2", scale on 270°

Measuring range ΔP	Ø 100	Ø 160
Static pressure	1,5 bar	1 bar
0 6 mbar	--	880 002
0 10 mbar	--	880 004
0 16 mbar	--	880 006
0 25 mbar	880 008	880 007
0 40 mbar	880 010	880 009
0 60 mbar	880 012	880 011
0 100 mbar	880 014	880 013
0 160 mbar	880 016	880 015
0 250 mbar	880 018	880 017
0 400 mbar	880 020	880 019

Functioning



	Ø 100	Ø 160
A	101.5	162
B	54	52
C	16	15
D	132	196
E	90	120
P	116	178
H	4.5	6
T*	20	20

*Standard connexion G 1/2"



8 Av. du Gué Langlois · 77600 Bussy-Saint-Martin
Tel +33 (0)1 60 37 45 00 Web www.citec.fr
E-mail citec@citec.fr

Low differential pressure
gauge
PCD Series

15-06-2023

D-806.75-EN-AB

PR

806-75/1