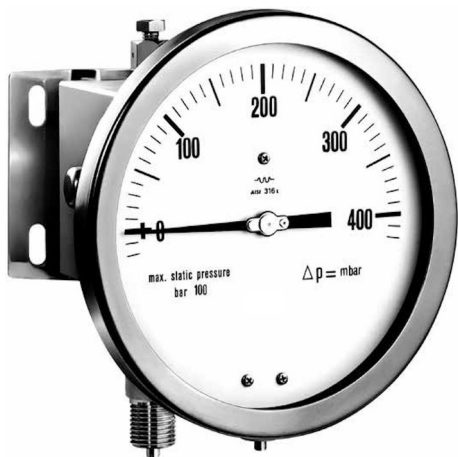


Differential pressure gauges, all Stainless Steel BDT 13 Series



- All Stainless Steel
- Ø 100, 150 mm
- ΔP : 0...100 mbar to 0...16 bar
- Max static pressure : 100 bar
- Accuracy class $\pm 2,5$
- ATEX version (in option)

APPLICATIONS

Pressure gauges BDT 13 series, are mainly intended for measuring differential pressures for chemical and petrochemical applications.

DESCRIPTION

The measurement system is made up of 2 stainless steel membranes linked together by a mechanical assembly which transmits the pressure to the needle of the manometer.

This allows a very good resistance to static pressure.

TECHNICAL DETAILS

Measuring range	ΔP : 0...100 mbar to 0...16 bar
Max static pressure	100 bar
Accuracy class	2,5 according to EN837
Pressure element	Diaphragm, AISI 316 L
Movement	AISI 316L
Case	AISI 304
	Ø 100 or 150 mm
Bezel	AISI 304
Window	Safety glass
Socket, connection	AISI 316L, 2 x G 1/2" BSP
Mounting	Bracket for wall mounting
Protection	IP 65
Filling liquid	Glycerin in option
Operating temperature	-25...+65 °C (dry), -20...+60 °C (filled)
Process temperature	-25...+100 °C (dry), -20...+60 °C (filled)

REFERENCES

Measuring range ΔP	Max static pressure	Ø 100 2 x G 1/2" BSP	Ø 150 2 x G 1/2" BSP
0 100 mbar	100 bar	880 054	880 053
0 160 mbar	100 bar	880 048	880 049
0 250 mbar	100 bar	880 058	880 057
0 400 mbar	100 bar	880 060	880 059
0 600 mbar	100 bar	880 062	880 061
0 1 bar	100 bar	880 064	880 063
0 1,6 bar	100 bar	880 066	880 065
0 2,5 bar	100 bar	880 068	880 067
0 4 bar	100 bar	880 070	880 069
0 6 bar	100 bar	880 072	880 071
0 10 bar	100 bar	880 074	880 073
0 16 bar	100 bar	880 076	880 075

EC Conformity : The instrument meets the legal requirements of the current European Directives



8 Av. du Gué Langlois · 77600 Bussy-Saint-Martin
Tel +33 (0)1 60 37 45 00 Web www.citec.fr
E-mail citec@citec.fr

Differential pressure gauges,
all Stainless Steel
BDT 13 Series

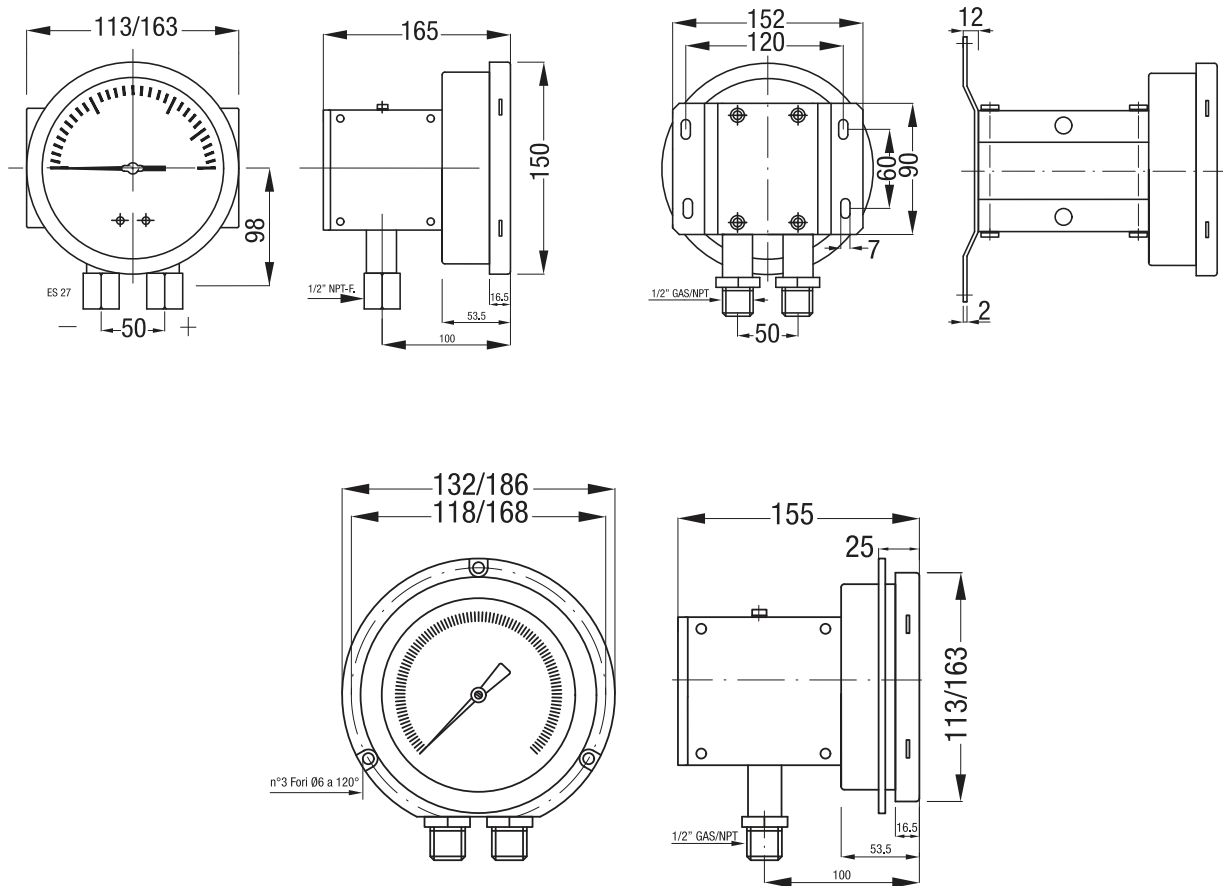
15-06-2023

D-806.82-EN-AB

PR

806-82/1

DIMENSIONS [mm]



OPTIONS

- Static pressure 250 bar : Add D at the end of the reference
- Static pressure 400 bar : Add Q at the end of the reference
- NPT thread, Add N at the end of the reference
- AISI 316 Stainless Steel Case and bezel : Add S at the end of the reference
- Accuracy class 1,6
- Electric contacts
- Glycerin filled
- Mounting bracket for 2" pipe mounting
- ATEX version



8 Av. du Gué Langlois · 77600 Bussy-Saint-Martin
 Tel +33 (0)1 60 37 45 00 Web www.citec.fr
 E-mail citec@citec.fr

Differential pressure gauges,
 all Stainless Steel
BDT 13 Series

15-06-2023

D-806.82-EN-AB

PR

806-82/2