

Digital pressure gauges, 4-20mA

LE 3 Series



- Pressure range : -1...+1000 bar
- Accuracy 0,1%
- 4-20mA Output
- Ø 76 mm
- Mini / Maxi display

APPLICATIONS

LE 3 digital pressure gauges are intended for testing and calibration applications for which pressure transmission is required in the form of a 4-20mA analog signal.

DESCRIPTION

The pressure is measured and displayed 2 times per second. The upper display shows the current pressure and the lower display shows the MAX or MIN pressure since the last RESET.

The ZERO function allows you to set either a new zero at the applied pressure, or atmospheric pressure if chosen as a reference.

It has a double digital display for the pressure (upper part) and for the output signal (lower part). The display is powered by the 4-20 mA current loop.

The measured pressure can be displayed, saved and exported to a PC using the software and the appropriate converter (ref. 879 310).

TECHNICAL DETAILS

Measuring range	-1 to 1000 bar
Accuracy	± 0,1% FS at 20°C ± 0,2% FS to 0°C at 50°C
Display	4,5 digits "min/max" pressure
Units	Bar, mbar/hPa, kPa, MPa, PSI, kp/cm ²
Output	4...20 mA (2 wire) / RS 485
Measuring rate	Up to 90 times/sec. Display 2 times/sec.
Power supply	8...28 VDC external
Electrical connection	Binder 723, back entry. and 4-20mA (2 wire)
Temperature	Operating : 0...+50°C Storage : -10...+60°C
Connection	G 1/4" AISI 316L
Case	Reinforced plastic
Protection	IP 65
Dial	Ø 76 mm
Weight	210 g
Package	Ship with case

EC Conformity : The instrument meets the legal requirements of the current European Directives



8 Av. du Gué Langlois · 77600 Bussy-Saint-Martin
Tel +33 (0)1 60 37 45 00 Web www.citec.fr
E-mail citec@citec.fr

Digital pressure gauges,
4-20mA
LE 3 Series

26-03-2024

D-807.08-EN-AA

PR

807-08/1

REFERENCES

Measuring range	Overload limit	Resolution	LE 3 4-20mA Accuracy 0,1%	Calibration certificate 6 pts
-1 3 bar	8 bar	1 mbar	879 204	449 022
-1 10 bar	20 bar	2 mbar	879 246	449 022
-1 30 bar	60 bar	10 mbar	879 216	449 022
0 100 bar	200 bar	20 mbar	879 260	449 006
0 300 bar	600 bar	100 mbar	879 266	449 006
0 700 bar	1100 bar	200 mbar	879 271	449 023
0 1000 bar	1100 bar	200 mbar	879 272	449 023

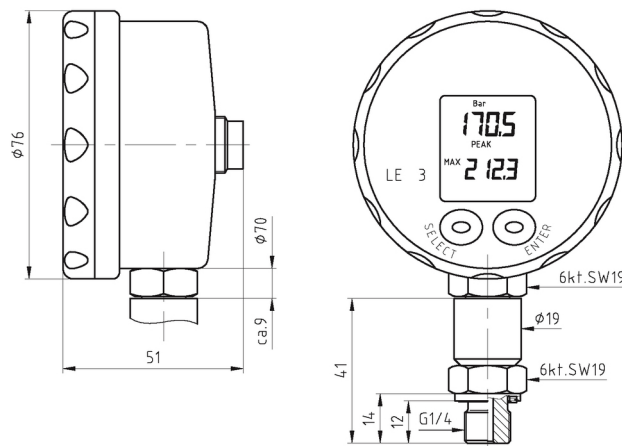
OPTIONS

- Calibration certificate by accredited laboratory :
0 to 700 bar : **ref. 449 038**
-1 to 30 bar : **ref. 449 039**
- PC kit with software for programming and reading pressure gauge : ref. 879 310
- Rubber protective cover : ref. 879 300
- Hoses, fittings : See doc. couplings and accessories

Note :

An annual calibration certificate is recommended
Pressure gauge should be protected from any pressure shocks and off limit overloads

DIMENSIONS [mm]



8 Av. du Gué Langlois · 77600 Bussy-Saint-Martin
Tel +33 (0)1 60 37 45 00 Web www.citec.fr
E-mail citec@citec.fr

Digital pressure gauges,
4-20mA
LE 3 Series

26-03-2024

D-807.08-EN-AA

PR

807-08/2