

Digital pressure gauges EC2 - LE2 Series



- Pressure range : -1...+700 bar
- High accuracy, 0,5 % and 0,1 %
- Ø 58 mm
- Mini / Maxi display
- Many units of measurement
- Atex version in option

APPLICATIONS

Digital pressure gauges are primarily intended for sampling measurements and verification or calibration tests.

DESCRIPTION

Compact and easy to use model, the pressure is measured and displayed twice per second. The upper display shows the current pressure and the lower display the maximum or minimum pressure since the last RESET.

The ZERO function allows you to set either a new zero at the applied pressure, or atmospheric pressure if chosen as a reference.

Each pressure gauge is delivered with a 1/4" rotating male gas adapter which allows its rotation.

TECHNICAL DETAILS

	EC2	LE2
Measuring range	-1 to +300 bar	-1 to +700 bar
Accuracy	± 0,5% FS max at 20°C ± 1,0% FS max 0°C to 50°C	± 0,1% FS max at 20°C ± 0,2% FS max 0°C to 50°C
Display	4.5 digits "min / max" pressure	
Units	bar, mbar/hPa, kPa, MPa, PSI, kp/cm ²	
Power	3V battery (included), CR2430 type. 1000h continuous. Automatic turn-off.	
Temperature	Operating : 0... +50°C Compensated : 0... +50°C Storage : -10...+60°C	
Display housing	Polyamide	
Connection	AISI 316L - 7/16"-20 UNF (adapter G1/4" male included)	
Swivel	Nickel-plated brass, seal NBR	
Adapter	Galvanised steel, Adapter seal NBR	
Protection	IP 65	
Weight	125 g	
Dial	Ø 58	
Package	Cardboard box	Plastic case

EC Conformity : The instrument meets the legal requirements of the current European Directives



Pression - Température

8 Av. du Gué Langlois · 77600 Bussy-Saint-Martin
Tel +33 (0)1 60 37 45 00 Web www.citec.fr
E-mail citec@citec.fr

Digital pressure gauges
EC2 - LE2 Series

26-03-2024

D-807.14-EN-AA

PR

807-14/1

REFERENCES

Measuring range	Overload Limit	Resolution	EC2 Acc. 0,5%	LE2 Acc. 0,1%	Calibration certificate 6 pts
-1 3 bar	10 bar	1 mbar	--	876 104	449 022
-1 10 bar	20 bar	2 mbar	--	876 156	449 022
-1 30 bar	60 bar	10 mbar	878 116	876 116	449 022
-1 100 bar	200 bar	20 mbar	--	876 160	449 022
0 300 bar	400 bar	100 mbar	878 166	876 166	449 006
0 700 bar	700 bar	200 mbar	--	876 171	449 023

OPTIONS

- Calibration certificate by accredited laboratory :

For EC 2 : ref. 449 048

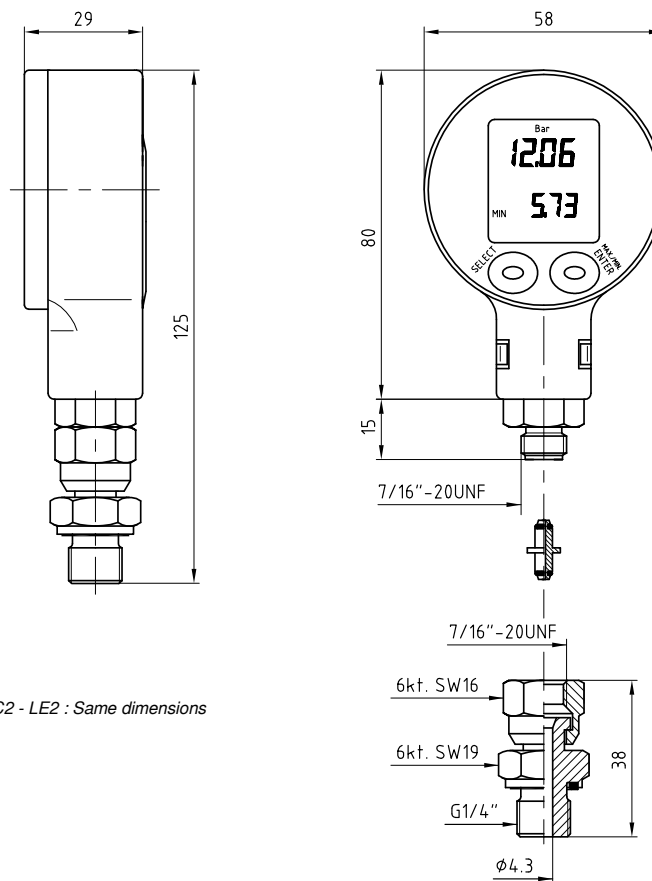
For LE 2 : -1+3 bar and -1+100 bar : ref. 449 039
0+300 bar and 0+700 bar : ref. 449 038

- Carrying bag : ref. 876102
- Rubber protective cover : ref. 879 303
- G1/4 fixed connection : ref. 876 100
- ATEX ExII1G EExialICT5 Version : Add A at the end of the reference
- Hoses, fittings : See doc. couplings and accessories

Note :

Pressure gauge should be protected from any pressure shocks and off limit overloads

DIMENSIONS [mm]



EC2 - LE2 : Same dimensions



Pression - Température

8 Av. du Gué Langlois · 77600 Bussy-Saint-Martin
Tel +33 (0)1 60 37 45 00 Web www.citec.fr
E-mail citec@citec.fr

Digital pressure gauges
EC2 - LE2 Series

26-03-2024

D-807.14-EN-AA

PR

807-14/2