

# Digital gauges with memory function

## RECORD Series



- Pressure range : -1 à 1000 bar
- High accuracy 0,1% and 0,2%
- Ø 76 mm
- 57 000 measured values with timestamp
- Battery life ≈ 2 years
- Atex version in option

### APPLICATIONS

RECORD pressure gauges are high-precision stand-alone instruments for measuring and recording pressure. They are intended in particular for pressure tests, leak detection or monitoring of anomalies.

### DESCRIPTION

The pressure is recorded once per second (shortest interval). The current pressure is displayed at the top of the screen and the recording status at the bottom. The recording is retrieved on a PC via software (provided) which is very easy to use. The ZERO function allows you to set either a new zero at the applied pressure, or atmospheric pressure if chosen as a reference. The temperature is also recorded.



Plastic case



Ship with case

### TECHNICAL DETAILS

Measuring range	-1 to 1000 bar
Accuracy	+30 to +300 mbar : ±0,2% FS 10°C to 40°C -1 to +1000 bar : ±0,1% FS 0°C to 50°C
Display	4,5 digits Recording status
Storage interval	Configurable, 1s...99 days
Data storage	57 000 measured values with timestamp Measurement interval ≤ 15s 28 000 measured values with timestamp Measurement interval > 15s
Units	Bar, mbar/hPa, kPa, MPa, PSI, kp/cm <sup>2</sup> , (m)H <sub>2</sub> O
Power supply	3.6V lithium battery, type SL-760 External voltage supply : 8-28 Vcc
Battery life	≈ 2 years for recording / 10s
Temperature	Operating : 0...+50°C Storage : -10...+60°C
Connection	G 1/4" AISI 316L
Connection fluid / seal	+30...+300 mbar : Aluminium oxide 96%, gold plated, FKM -1...+1000 bar : AISI 316L, NBR
Interface converter	Fischer plug, back on the case K-114A converter (no included) Compatible with system Windows software
Protection	IP 65
Case	Reinforced plastic
Dial	Ø 76
Weight	250 g
Package	Ship with case

**EC Conformity : The instrument meets the legal requirements of the current European Directives**



Pression - Température

8 Av. du Gué Langlois · 77600 Bussy-Saint-Martin  
Tel +33 (0)1 60 37 45 00 Web [www.citec.fr](http://www.citec.fr)  
E-mail [citec@citec.fr](mailto:citec@citec.fr)

Digital gauges with memory function  
**RECORD Series**

26-03-2024

D-807.25-EN-AB

PR

807-25/1

## REFERENCES

Measuring range	Overload limit	Resolution	RECORD	Calibration certificate 6 pts
0 30 mbar	300 mbar	300 mbar	<b>879 019</b>	<b>449 020</b>
0 100 mbar	1000 mbar	1500 mbar	<b>879 025</b>	<b>449 020</b>
0 300 mbar	1500 mbar	300 mbar	<b>879 029</b>	<b>449 020</b>
-1 3 bar	10 bar	1 mbar	<b>879 334</b>	<b>449 022</b>
-1 30 bar	60 bar	10 mbar	<b>879 353</b>	<b>449 022</b>
0 300 bar	400 bar	100 mbar	<b>879 366</b>	<b>449 006</b>
0 700 bar	700 bar	100 mbar	<b>879 370</b>	<b>449 023</b>
0 1000 bar	1000 bar	100 mbar	<b>879 372</b>	<b>449 023</b>

## OPTIONS

### Interface converter and software, USB connector :

Interface converter kit with software: **ref. 054 565**

### Calibration certificate by accredited laboratory :

0 to 700 bar :

**ref. 449 038**

-1 to 30 bar :

**ref. 449 039**

- Rubber protective cover : ref. 879 300
- Carrying bag : ref. 879 301
- ATEX ExII2G ExialICT4 Version : Add A at the end of the reference

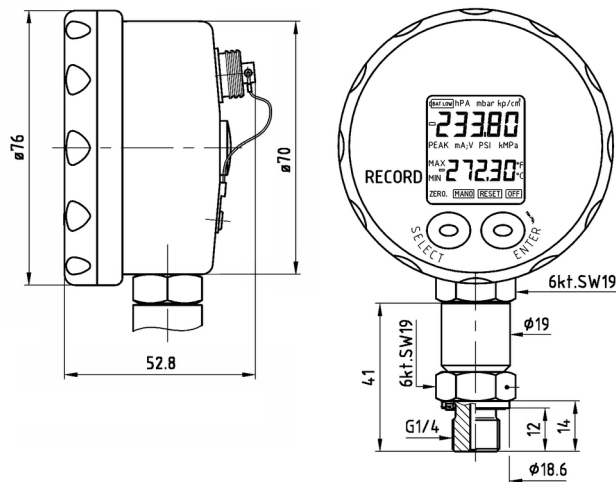


Rubber protective cover ref. 879 300

## SOFTWARE

- Ability to configure and play recordings.
- The measured values can be represented graphically in the form of tables, curves, converted to other units.
- Programming of measurement intervals, recording modes for example start and end, start from defined value.
- Zero point calibration
- Battery status indicator
- As well as many other possibilities.

## DIMENSIONS [mm]



Digital gauges with memory function  
**RECORD Series**

26-03-2024

D-807.25-EN-AB

PR

807-25/2



Pression - Température

8 Av. du Gué Langlois · 77600 Bussy-Saint-Martin

Tel +33 (0)1 60 37 45 00 Web [www.citec.fr](http://www.citec.fr)

E-mail [citec@citec.fr](mailto:citec@citec.fr)