

# ECLIPSE

## 2-WAY STEPPER-CONTROLLED PROPORTIONAL ISOLATION VALVES



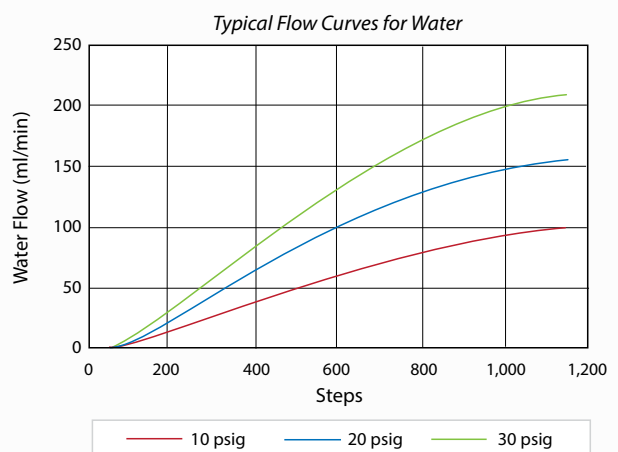
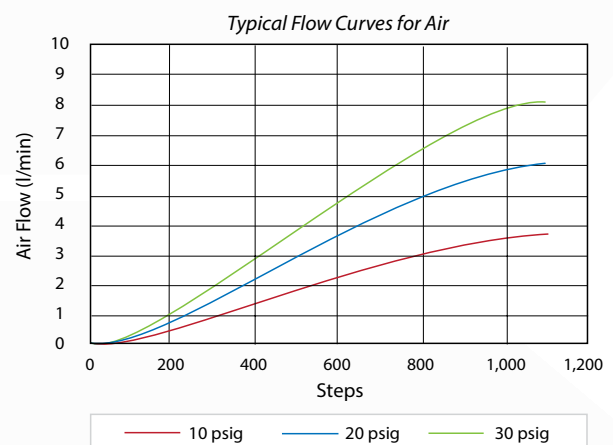
Utilizing the industry's most robust and powerful miniature linear actuator, the patent pending stepper-controlled proportional valve leads the industry in performance, durability and precise flow control.

This valve is ideal in critical applications for liquid and gas delivery, medical, analytical and industrial automation requiring high resolution and excellent repeatability. In addition, the unique design allows for custom flow profiles.

<b>Medium</b>	Liquids and gases
<b>Typical Cycle Time for Full Travel</b>	1.1 seconds at 1,000 steps per second
<b>Wetted Material</b>	Ceramic (others depending on porting option)
<b>Pressure Range</b>	Vac to 30 psig*
<b>Proof Pressure (Overpressure)</b>	50 psig
<b>Flow Range*</b>	Air: 0 to 8 l/min -0/+10% (0.28 scfm) @ 30 psig Water: 0 to 210 ml/min -0/+10% (0.0074 scfm) @ 30 psig
<b>Flow Resolution</b>	0.19 ml/min water and 0.007 l/min air max @ 30 psig per full step depending on pressure
<b>Position Resolution</b>	0.00006" per step
<b>Ambient/Environment</b>	32 to 180°F
<b>Driver</b>	Bipolar chopper drive required
<b>Supply Voltage to Motor Driver</b>	20 VDC @ 30 psig
<b>Current/Phase</b>	0.49 amps
<b>Mounting</b>	Manifold or flat bottom (ZDVF)
<b>Power Consumption</b>	2.5 watts nominal only during adjustment. Zero power consumption to maintain position.
<b>Seals</b>	Valve: None Port: FKM standard. EPDM and others upon request
<b>More Details</b>	<a href="http://clippard.com/link/eiv">clippard.com/link/eiv</a>

\* This product is highly modifiable for OEM applications including alternate body materials, flow profiles, pressure ranges, manifold mounting, etc. Please consult Clippard.

- Leak free (<0.05 sccm)
- Excellent Linearity (<4% of full-scale)
- Fast Response (<2 ms reaction time)
- Cycle Life of Typically >1 million
- Repeatability: <0.5% of Full Travel



Design World 2020 Leadership in Engineering Achievement Program Winner

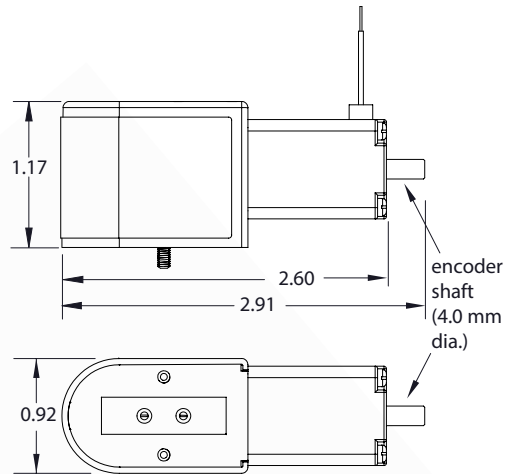
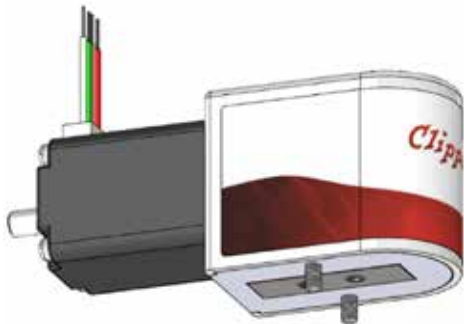
**Clippard**

877-245-6247 | [clippard.com](http://clippard.com)

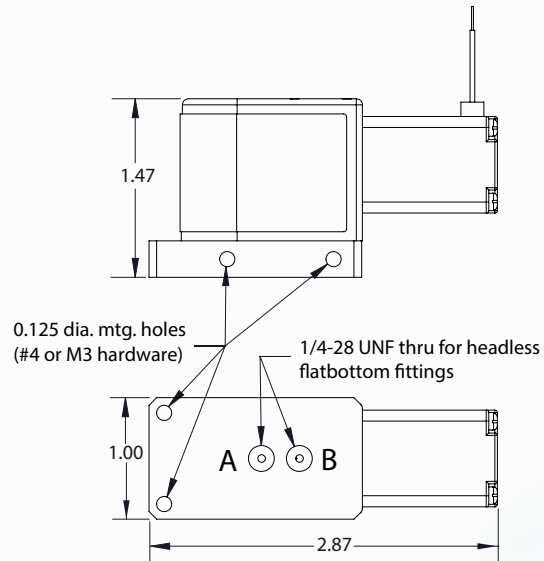
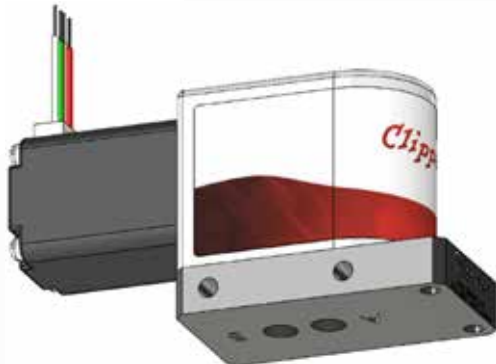
## ORDERING INFORMATION

Series	Model	Porting	Seals	Encoder Shaft
<b>EIV</b> Eclipse Valve	<b>U-</b>	<b>M</b> Manifold <b>Z</b> Zero Dead Volume Fitting (ZDVF)	<b>(blank)</b> ZDVF Porting <b>-V</b> FKM	<b>-ENS</b> Encoder Shaft
<b>Example Part No.</b> EIVU-M-V-ENS				

**EIVU-M** (shown with -ENS Encoder)



**EIVU-Z Series**



### Clippard Accessories

- EUM-01** Single-Station Manifold, #10-32
- M-EUM-01** Single-Station Manifold, M5x0.8
- SCPVD-1** Bipolar Chopper Driver
- ZDVF-18** Headless 1/4-28 Flatbottom Fitting, 1/8" OD (IDEX p/n XP-348)

### Other Recommended Accessory

- Miniature optical encoder from US Digital for 4 mm bore with metric screws (p/n E4T)



### Manifold Layout

